

LAMP MULTI ANGLE LOCKING HINGE HG-MA95B



- Easily adjusts the flap angle by toggling the lever.
- Lock allows the hinge to be held in position from 0° to 180° in 10° increments.
- The flap is temporarily unlocked while the lever is pushed.
- The flap stays unlocked when the lever is lifted.
- Both hinge types can be used together.

[Applications]

- Medical equipment, analytical instruments, semiconductor equipment.

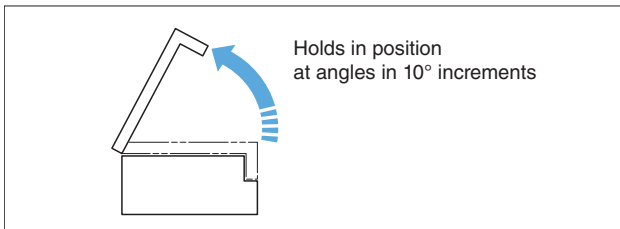
[Remarks]

- Be sure to read the "Cautions" **1**.

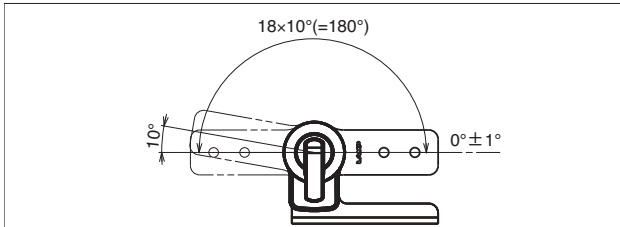
[Recommended screws]

- M5 screw

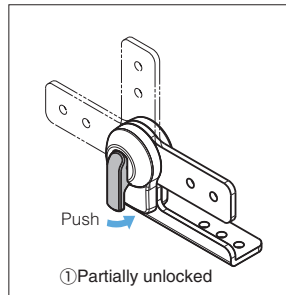
[Video Link](#)



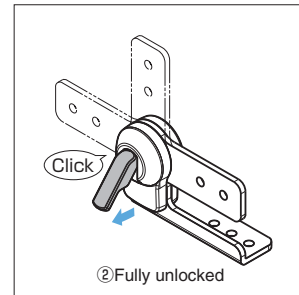
[Locus chart]



[Two ways to unlock]

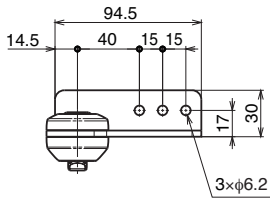


The flap is temporarily unlocked while the lever is pushed.

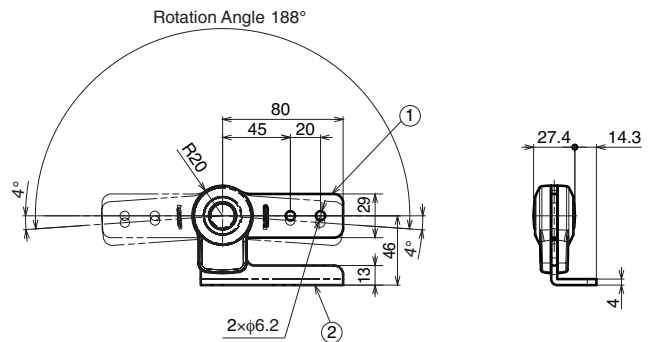
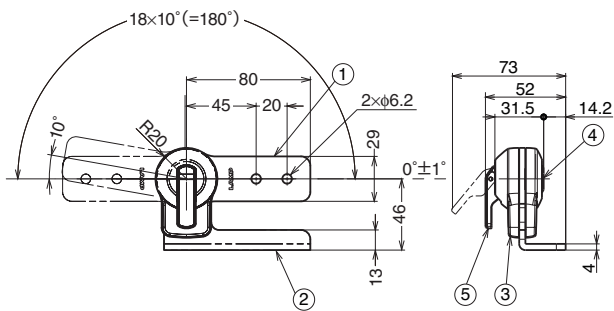
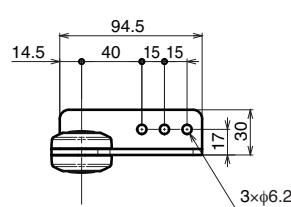


The flap stays unlocked when the lever is lifted.

[HG-MA95B-L]



[HG-MA95BF-L]



No.	Part Name	Material	Finish/Colour
①	Bracket	Steel	Nickel
②	Base		
③	Plastic Cover	PC	Black
④	Pin	ABS	
⑤	Lever	PA	Light Gray

Left-handed shown. Right-handed is symmetrical.

RoHS	CAD	Item Code	Item Name	Position	Type	Max Torque N-m / pc	Max Torque kgf-cm/pc	Weight (g)	Box (pc)	Carton (pc)
✓	3D	170-043-820	HG-MA95B-R	Right-handed	With lever	45	459	305	5	20
✓	3D	170-043-821	HG-MA95B-L	Left-handed				305	5	20
✓	3D	170-043-824	HG-MA95BF-R	Right-handed	Without lever	-	-	305	5	20
✓	3D	170-043-825	HG-MA95BF-L	Left-handed				305	5	20

Refer to **1** : No.280 P.15