

Flat suction cup (round)

<https://www.schmalz.com/10.01.01.00064>



PFG 3.5 FPM-65 N003

Part no.: 10.01.01.00064

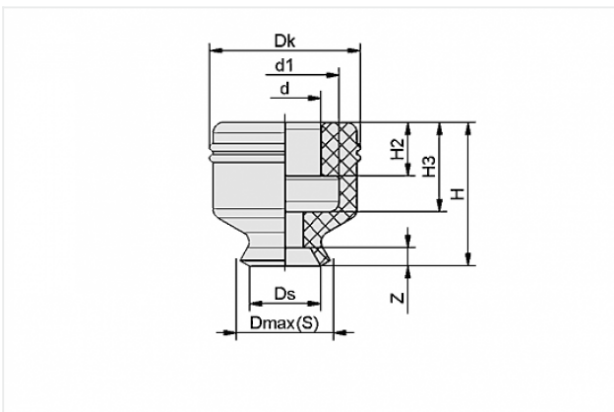
Homepage > Vacuum Technology for Automation > Vacuum Components > Vacuum Suction Cups > Flat Suction Cups (Round) > PFG 3.5 FPM-65 N003

Flat suction cup (round) for smooth or slightly rough surfaces



Size: 3.5
Suction cup material:
Fluorocautchuc FPM
Material hardness: 65 °Sh
Material property: imprint-free

Design Data



| Attribute | Value |
|-----------|-------|
|-----------|-------|

| | |
|---------|--------|
| d | 2 mm |
| d1 | 3 mm |
| Dk | 4.2 mm |
| Dmax(S) | 4 mm |
| Ds | 3.5 mm |
| H | 4 mm |
| H2 | 1.5 mm |
| H3 | 2.5 mm |
| Z | 0.5 mm |

Contact to Schmalz

J. Schmalz GmbH | Johannes-Schmalz-Straße, 72293 Glatten, Deutschland | +49 7443 2403-102 | customercenter@schmalz.de

Technical Data

| Attribute | Value |
|-----------------------------|-----------------------|
| Suction force | 0.42 N |
| Volume | 0.015 cm ³ |
| Curve radius (min) (convex) | 7.5 mm |
| Size | 3.5 |
| Nipple | N 003 |
| Number of folds | 0 |
| Suction cup material | Fluorocautchuc FPM |
| Material hardness | 65 °Sh |
| Product family | PFG |

Accessories



SA-NIP N003 M3-AG DN100

Part no. 10.01.01.00316

Suction cup connection nipple

Nipple: N 003

Thread G1: M3-M

Overall length: 7.5 mm

Fitting length: 2 mm

Nominal size: 1.00 mm

Material: Aluminium