

DETENT TORQUE HINGE

STAINLESS 304 STEEL

HG-DTA



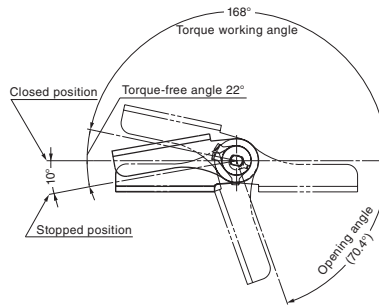
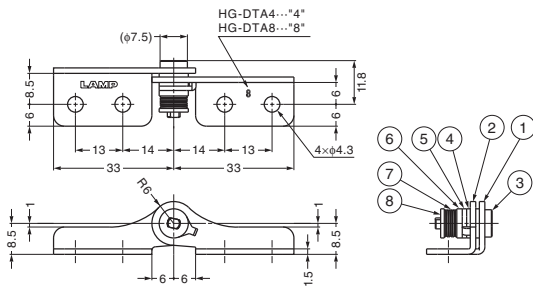
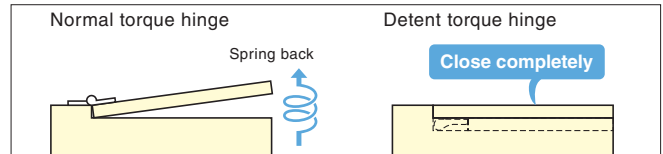
Features

- Has free-stop: holds position at any angle.
- Detent function prevents spring-back in closed position.
- No additional catch needed.
- All stainless steel body provides corrosion resistance.

Remarks

- For pair using: Please use the same torque moment in both hinges.
- Becomes torque-free right before closing to prevent spring-back.

Video Link



No.	Part Name	Material	Finish
①	Body	Stainless Steel (SUS304)	Mirror
②	Bracket	Stainless Steel (SUS304)	Mirror
③	Shaft	Stainless Steel (SUS303)	-
④	Washer	Stainless Steel	-
⑤	Cam A	Stainless Steel	-
⑥	Cam B	Stainless Steel	-
⑦	Spring Washer	Stainless Steel	-
⑧	Plate	Stainless Steel (SUS304)	-

Item Code	Item Name	Type	Torque Moment (Per piece)		Release Torque *		Weight	Box	Carton
170-026-457	HG-DTA4-R	Right	0.4±20% N·m	4.08±20% kgf·cm	0.7±20% N·m	7.14±20% kgf·cm	19 g	50 pcs	400 pcs
170-026-458	HG-DTA4-L	Left	0.4±20% N·m	4.08±20% kgf·cm	0.7±20% N·m	7.14±20% kgf·cm	19 g	50 pcs	400 pcs
170-026-459	HG-DTA8-R	Right	0.8±20% N·m	8.16±20% kgf·cm	1.5±20% N·m	15.31±20% kgf·cm	19 g	50 pcs	500 pcs
170-026-460	HG-DTA8-L	Left	0.8±20% N·m	8.16±20% kgf·cm	1.5±20% N·m	15.31±20% kgf·cm	19 g	50 pcs	500 pcs

*Torque required to release detent.

DETENT TORQUE HINGE

STAINLESS 304 STEEL

HG-DTB



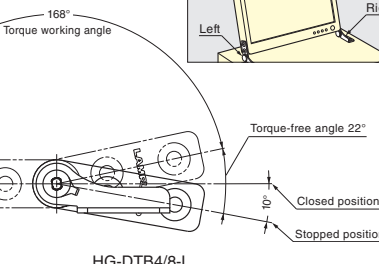
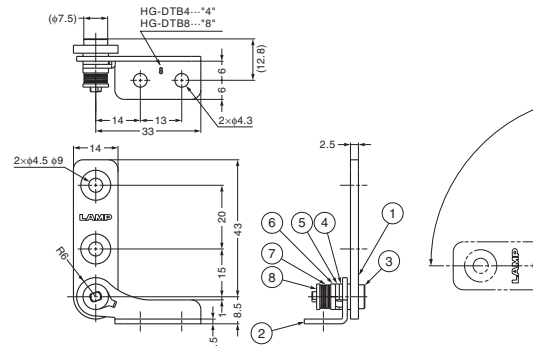
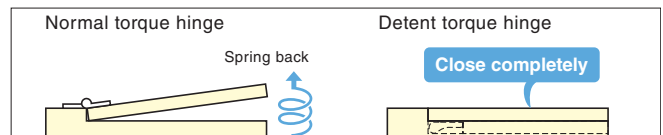
Features

- Has free-stop: holds position at any angle.
- Detent function prevents spring-back in closed position.
- No additional catch needed.
- All stainless steel body provides corrosion resistance.

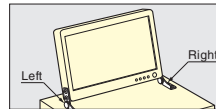
Remarks

- For pair using: Please use the same torque moment in both hinges.
- Becomes torque-free right before closing to prevent spring-back.

Video Link



Application Example



No.	Part Name	Material	Finish
①	Body	Stainless Steel (SUS304)	Mirror
②	Bracket	Stainless Steel (SUS304)	Mirror
③	Shaft	Stainless Steel (SUS303)	-
④	Washer	Stainless Steel	-
⑤	Cam A	Stainless Steel	-
⑥	Cam B	Stainless Steel	-
⑦	Spring Washer	Stainless Steel	-
⑧	Plate	Stainless Steel (SUS304)	-

Item Code	Item Name	Type	Torque Moment (Per piece)		Release Torque *		Weight	Box	Carton
170-026-461	HG-DTB4-R	Right	0.4±20% N·m	4.08±20% kgf·cm	0.7±20% N·m	7.14±20% kgf·cm	23 g	50 pcs	400 pcs
170-026-462	HG-DTB4-L	Left	0.4±20% N·m	4.08±20% kgf·cm	0.7±20% N·m	7.14±20% kgf·cm	23 g	50 pcs	400 pcs
170-026-463	HG-DTB8-R	Right	0.8±20% N·m	8.16±20% kgf·cm	1.5±20% N·m	15.31±20% kgf·cm	23 g	50 pcs	500 pcs
170-026-464	HG-DTB8-L	Left	0.8±20% N·m	8.16±20% kgf·cm	1.5±20% N·m	15.31±20% kgf·cm	23 g	50 pcs	500 pcs

*Torque required to release detent.