

# STAINLESS STEEL DAMPER HINGE



## HG-JH14-50

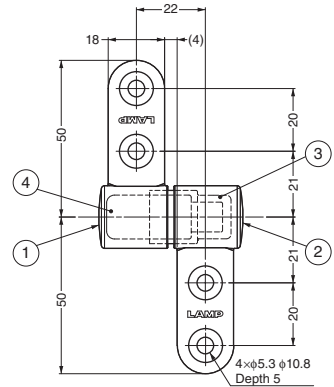
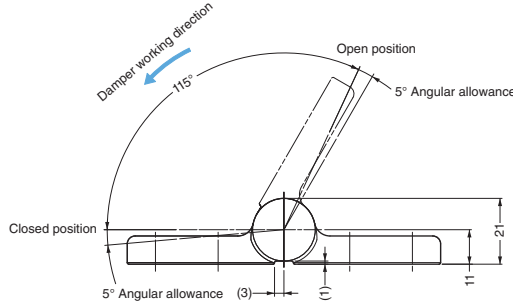


### Features

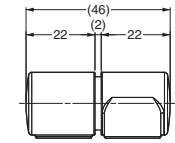
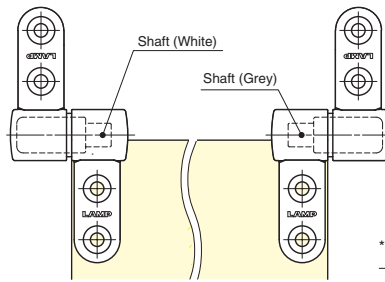
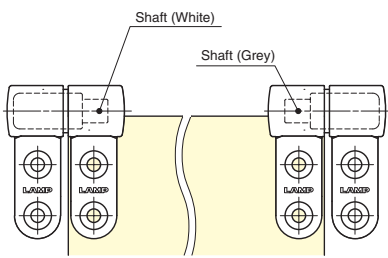
- Surface mount type.
- Light and smooth opening and soft closing.
- Torque moment 1.6 - 3.0 N·m type can also be produced.
- Sold in pairs.

### Remarks

Door stopper is necessary for soft-close damping angle (0 - 115 degree or less).



### Installation



Left-hand damper shown.

\*SCS13 is equivalent of SUS304.

Item Code	Item Name	Torque Moment (Per pair)	Weight	Box	Carton
170-021-173	HG-JH14-50	3 - 5 N·m	30.6 - 51 kgf·cm	275 g/set	1 set / 48 sets

No.	Part Name	Material	Finish/Colour
①	Bracket (L)	Stainless Steel (SCS13)	Mirror
②	Bracket (R)	Stainless Steel (SCS13)	Mirror
③	Bush	Polycetal (POM)	White
④	Damper	Stainless Steel/PBT Resin	-

# DAMPER HINGE

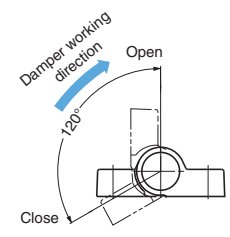
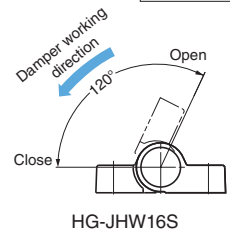
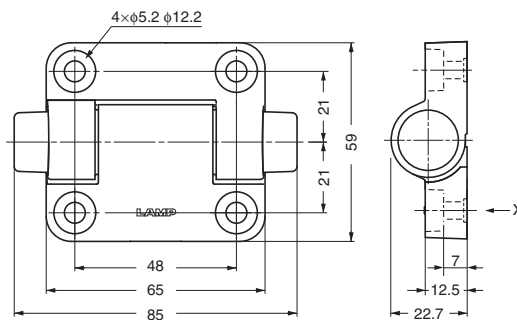


## HG-JHW16S



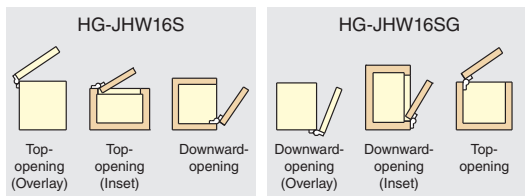
### Features

- Available with 3 different damping torques.
- Damping in opening or closing direction.
- Opening and damping angle: 0° - 120°.
- Successfully passed 70,000 open/close cycles in a private test.

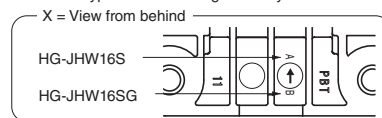


### Recommended Screws

M5 screw



The model types can be distinguished by the mark on the back side.



Item Code	Item Name	Damper Working Direction (When Surface Mount)	Torque Moment (Per piece)	Weight	Box
170-027-420	HG-JHW16S-34	For Closing	2.0 - 3.4 N·m / 20.4 - 34.7 kgf·cm	83 g	30 pcs
170-027-421	HG-JHW16S-50	For Closing	3.4 - 5.0 N·m / 34.7 - 51.0 kgf·cm	83 g	30 pcs
170-027-422	HG-JHW16S-34G	For Opening	2.0 - 3.4 N·m / 20.4 - 34.7 kgf·cm	83 g	30 pcs
170-027-423	HG-JHW16S-50G	For Opening	3.4 - 5.0 N·m / 34.7 - 51.0 kgf·cm	83 g	30 pcs
170-027-419	HG-JHW16S-00	Without Damper	-	52 g	30 pcs

\*These pictures of opening and closing are of a surface mount installation.

Material	Finish/Colour
PBT	Dark Grey