

# LIFT-OFF HINGE FOR ALUMINIUM FRAME AS-HG-AL-N



- Aluminium alloy material, light weight and excellent design.
- Resin covering rotating part and shaft end prevents metal-to-metal friction and metal powder scattering.
- Unique shaft design for easy installation
- Shaft with rib will not fall off when door is detached.
- Suitable for aluminium frames from various manufacturers.

### [Applications]

- Semiconductor manufacturing equipment, aluminium frame, household equipment, etc.

### [Remarks]

- For details such as applicable aluminium frames, please contact local representatives.
- Load capacity is the value when using two hinges. For calculation conditions, please refer to INDEX 1.

TORQUE HINGES

DAMPER HINGES

LIFT ASSIST HINGES

DETENT HINGES

CONCEALED HINGES

BUTT HINGES

PIANO HINGES

STEP HINGES

LIFT-OFF HINGES

PIVOT HINGES

SPRING HINGES

CLEAN ROOM HINGES

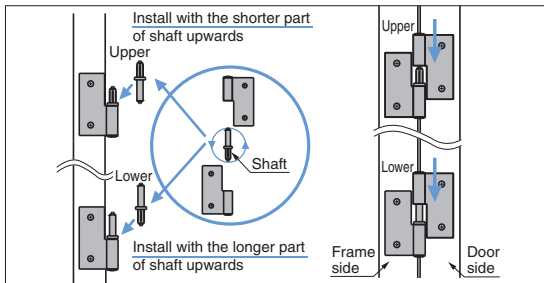
HINGES FOR ALUMINIUM FRAME

DROP HINGES

GLASS DOOR HINGES

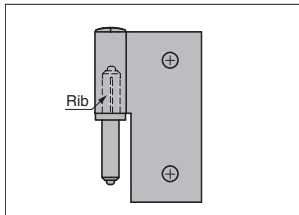
SPECIAL HINGES

### [Installation]



- Shaft  
Install upper and lower hinges with the longer and shorter part of shaft reversed.
- Door installation  
Hang the door on to the lower hinge first, and then on to the upper hinge. Different shaft length reduces installation time.

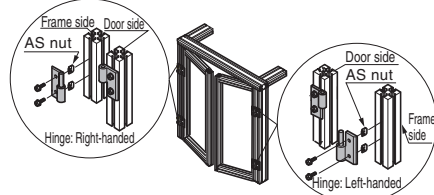
### [Structure of Shaft]



Unique rib design means that the shaft will remain in the door part of the upper hinge when the door is removed. When re-installing door, remove shaft and install it into hinge at the frame side.

### [Installation]

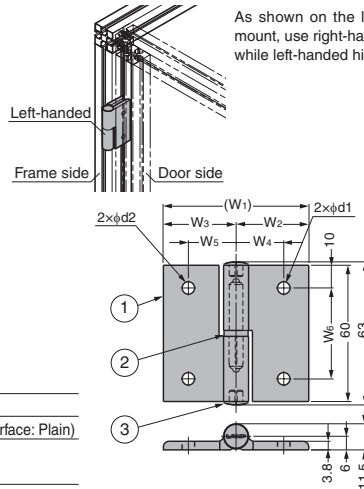
#### In case of surface mount



As shown above, in case of surface mount, use left-handed hinge for right-hanging while right-handed hinge for left-hanging.

#### In case of non-surface mount

As shown on the left, in case of non-surface mount, use right-handed hinge for right-hanging while left-handed hinge for left-hanging.



No.	Part Name	Material	Finish / Colour
①	Body	Aluminium Alloy	Matte Anodised Silver (Machined Surface: Plain)
②	Shaft	Stainless Steel (SUS303), POM	White
③	Cover	POM	

RHS	CAD	Item Code	Item Name	Description	W <sub>1</sub>	W <sub>2</sub>	W <sub>3</sub>	W <sub>4</sub>	W <sub>5</sub>	W <sub>6</sub>	d <sub>1</sub>	d <sub>2</sub>	Load Capacity N/2 pcs	Load Capacity kgf/2 pcs	Weight (g)	Box (pcs)	Carton (pcs)
☑	☑	170-018-210	AS-HG-AL-NL3020	Round Holes, Left-handed	43	18	25	11	16	4.5	5.5	78	8		34	20	240
☑	☑	170-018-209	AS-HG-AL-NR3020	Round Holes, Right-handed													
☑	☑	170-018-212	AS-HG-AL-NL3030	Round Holes, Left-handed	50	25	16	11	21	4.5	5.5	78	8		37	20	240
☑	☑	170-018-211	AS-HG-AL-NR3030	Round Holes, Right-handed													
☑	☑	170-018-214	AS-HG-AL-NL3040	Round Holes, Left-handed	57	25	16	11	21	4.5	5.5	78	8		40	20	240
☑	☑	170-018-213	AS-HG-AL-NR3040	Round Holes, Right-handed													
☑	☑	170-020-921	AS-HG-AL-NL4020	Round Holes, Left-handed	50	18	32	11	21	4.5	5.5	78	8		38	20	240
☑	☑	170-020-920	AS-HG-AL-NR4020	Round Holes, Right-handed											38	20	240
☑	☑	170-018-216	AS-HG-AL-NL4040	Round Holes, Left-handed	64	32	21	11	21	4.5	5.5	78	8		46	20	240
☑	☑	170-018-215	AS-HG-AL-NR4040	Round Holes, Right-handed													

### [Discontinued]

RHS	CAD	Item Code	Item Name	Description	W <sub>1</sub>	W <sub>2</sub>	W <sub>3</sub>	Load Capacity N/2 pcs	Load Capacity kgf/2 pcs	Weight (g)	Box (pcs)	Carton (pcs)
☑	☑	170-020-684	AS-HG-AL-NL3020N	No Holes, Left-handed	43	18	25	78	8			
☑	☑	170-020-685	AS-HG-AL-NR3020N	No Holes, Right-handed								
☑	☑	170-020-686	AS-HG-AL-NL3030N	No Holes, Left-handed	50	25		78	8			
☑	☑	170-020-687	AS-HG-AL-NR3030N	No Holes, Right-handed								

Refer to 1 : P.15