

CLEAN ROOM HINGE HG-CV-65N Lift-Off Type



- Plastic caps at rotating part prevent metal-to-metal friction and metal powder scattering.
- Lift-off type, easy to detach the door.
- When opening and closing door, plastic caps will not interfere with frame .
- Aluminium alloy material, light weight and excellent design.
- Oval hole type also available.

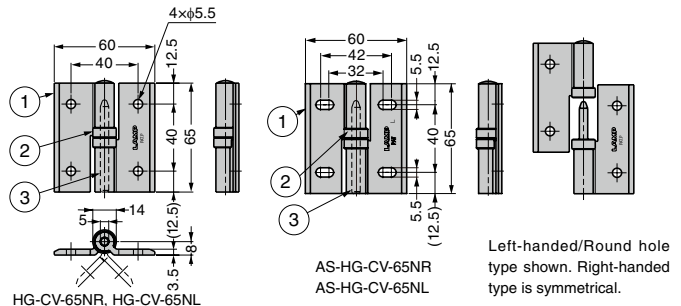
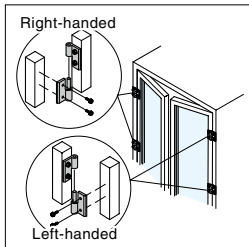
[Applications]

- Semiconductor manufacturing equipment, clean room, aluminium frame, household equipment, etc.

[Remarks]

- Load capacity is the value when using two hinges. For calculation conditions, please refer to INDEX 1 .

[Installation]



Reference door weight: 8kg
(In case of door size W600 x 800, using 2 pcs vertically)

RoHS	CAD	Item Code	Item Name	Description	Load Capacity N/2 pcs	Load Capacity kgf/2 pcs	Weight (g)	Box (pcs)	Carton (pcs)
☑	3D	170-091-452	HG-CV-65NR	Right-handed/Round Hole	108	11	49	20	240
☑	3D	170-091-451	HG-CV-65NL	Left-handed/Round Hole				20	240
☑	3D	170-090-538	AS-HG-CV-65NR	Right-handed/Oval Hole				20	240
☑	3D	170-090-539	AS-HG-CV-65NL	Left-handed/Oval Hole			48	20	240

No.	Part Name	Material	Finish / Colour
①	Body	Aluminium Alloy	Anodised Silver
②	Cover	POM	White
③	Shaft	Stainless Steel (SUS303)	Plain

Refer to 1 : P.15



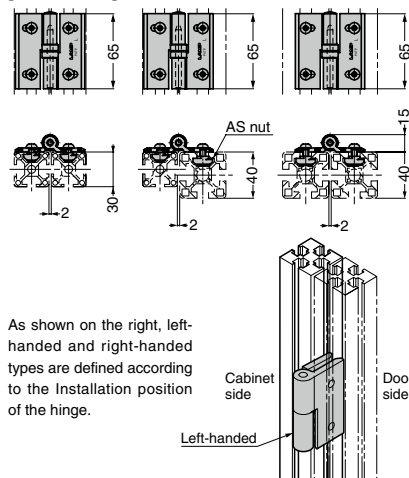
Parts Set For Installing to Aluminium Frame Please refer to the series introduction page 1 for details about AS series.



[AS Parts Set] Parts set of screws and AS nuts

RoHS	CAD	Item Code	Item Name	Aluminium Frame	Parts	Weight (g)
☑	-	170-041-535	AS-HG-CV65NR-30-6	Groove Width 6 mm	Hinge AS-HG-CV-65NR: 1pc AS Nut AS-6M4: 4pcs Hexagon Socket Head Cap Screw M4 x 10: 4pcs	-
☑	-	170-041-539	AS-HG-CV65NL-30-6		Hinge AS-HG-CV-65NL: 1pc AS Nut AS-6M4: 4pcs Hexagon Socket Head Cap Screw M4 x 10: 4pcs	-
☑	-	170-041-536	AS-HG-CV65NR-30-8	Groove Width 8 mm	Hinge AS-HG-CV-65NR: 1pc AS Nut AS-8M5: 4pcs Hexagon Socket Head Cap Screw M5 x 10: 4pcs	-
☑	-	170-041-540	AS-HG-CV65NL-30-8		Hinge AS-HG-CV-65NL: 1pc AS Nut AS-8M5: 4pcs Hexagon Socket Head Cap Screw M5 x 10: 4pcs	-
☑	-	170-041-537	AS-HG-CV65NR-40-8	Groove Width 10 mm	Hinge AS-HG-CV-65NR: 1pc AS Nut AS-8M5: 4pcs Hexagon Socket Head Cap Screw M5 x 14: 4pcs	-
☑	-	170-041-541	AS-HG-CV65NL-40-8		Hinge AS-HG-CV-65NL: 1pc AS Nut AS-8M5: 4pcs Hexagon Socket Head Cap Screw M5 x 14: 4pcs	-
☑	-	170-041-538	AS-HG-CV65NR-40-10	Groove Width 10 mm	Hinge AS-HG-CV-65NR: 1pc AS Nut AS-10M5: 4pcs Hexagon Socket Head Cap Screw M5 x 14: 4pcs	-
☑	-	170-041-542	AS-HG-CV65NL-40-10		Hinge AS-HG-CV-65NL: 1pc AS Nut AS-10M5: 4pcs Hexagon Socket Head Cap Screw M5 x 14: 4pcs	-

[Dimensions]



Refer to 1 : FRONT P.20, 2 : P.706

TORQUE HINGES

DAMPER HINGES

LIFT ASSIST HINGES

DETENT HINGES

CONCEALED HINGES

BUTT HINGES

PIANO HINGES

STEP HINGES

LIFT-OFF HINGES

PIVOT HINGES

SPRING HINGES

CLEAN ROOM HINGES

HINGES FOR ALUMINIUM FRAME

DROP HINGES

GLASS DOOR HINGES

SPECIAL HINGES