

# CLEAN ROOM HINGE (W/BUSHING)



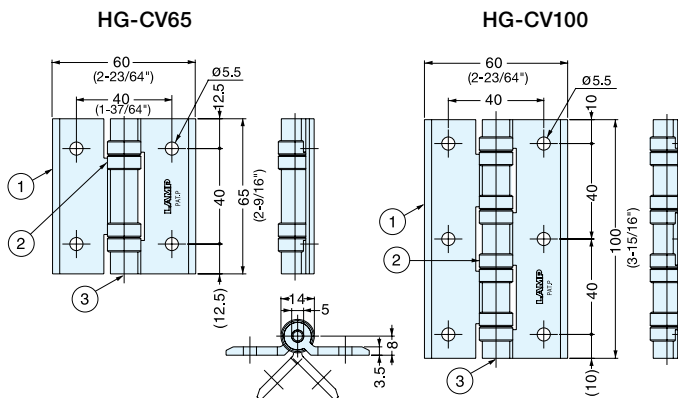
## HG-CV



HG-CV65

HG-CV100

- No metal-to-metal contact.
- Polyacetal bushings minimize particles.
- Ideal for cleanroom application.
- Door weight:  
HG-CV- 65 Max. 8 kg/pair (17.6 lbs/pair)  
HG-CV-100 Max. 13 kg/pair (28.6 lbs/pair)
- Door size: Max. W600xH700  
(W23-5/8"xH27-9/16")



Item No.	Weight (g)	Box (pcs)	Carton (pcs)
HG-CV65	60	20	240
HG-CV100	100		160

No.	Part Name	Material	Finish
①	Body	Aluminum	Anodized
②	Bushing	Polyacetal	White
③	Hinge Pin	303 Stainless Steel	-

# CLEAN ROOM HINGE (W/BUSHING)

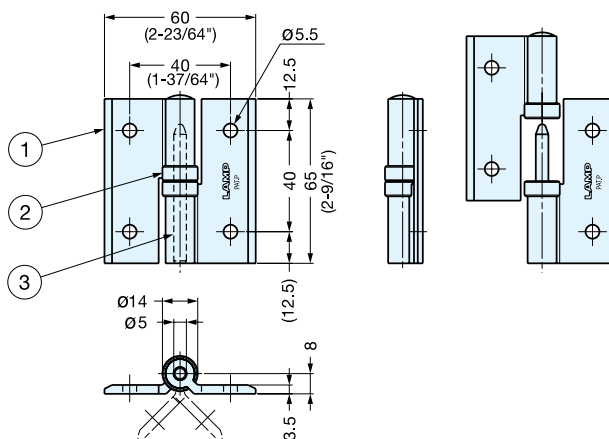


## HG-CV65N



Left-Hand Opening

- No metal-to-metal contact.
- Polyacetal bushings minimize particles.
- Ideal for cleanroom application.
- Door weight: Max 8kg/pair



Item No.	Type	Weight (g)	Box (pcs)	Carton (pcs)
HG-CV65NR	Right Hand	48	20	200
HG-CV65NL	Left Hand			

No.	Part Name	Material	Finish
①	Body	Aluminum	Anodized
②	Bushing	Polyacetal	White
③	Hinge Pin	303 Stainless Steel	-