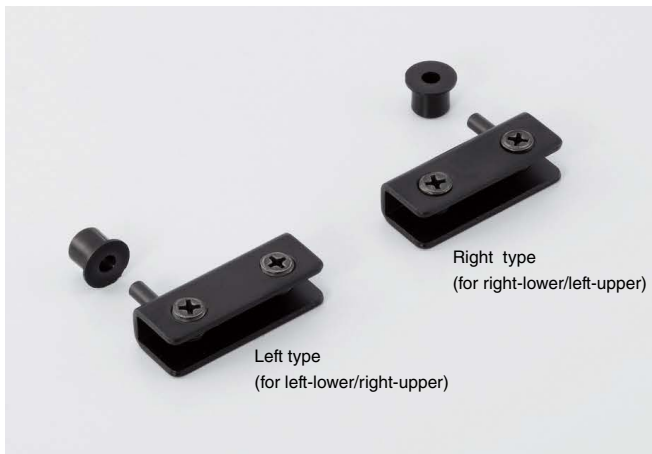


INSET GLASS DOOR PIVOT HINGE

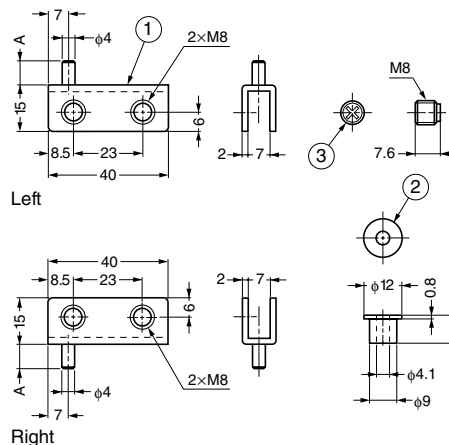
GPH



GPH-41HR/HL-G shown.

Remarks

- Please use in pairs. Can not be used separately.
Left: For left-lower/right-upper
Right: For right-lower/left-upper
- GPH-40R-G and GPH-40L-G should be used with the socket PHB4 (below).



No.	Part Name	Material	Finish/Colour
①	Hinge	Steel	Paint/Black
②	Support	Polypropylene (PP)	Black
③	Screw	Steel	Black

Item Code	Item Name	Type	A	Door Width	Door Height	Glass Thickness	Door Weight	Weight	Box	Carton
170-080-032	GPH-40R-G	Right	4	Max. 450	Max. 700	4, 5	Max. 4 kg/pair	25 g	100 pcs	600 pcs
170-080-033	GPH-40L-G	Left	4	Max. 450	Max. 700	4, 5		25 g	100 pcs	600 pcs
170-080-030	GPH-41HR-G	Right	9	Max. 450	Max. 700	4, 5	Max. 4 kg/pair	25.5 g	100 pcs	1800 pcs
170-080-031	GPH-41HL-G	Left	9	Max. 450	Max. 700	4, 5		25.5 g	100 pcs	1800 pcs

SOCKET FOR GPH40 PIVOT HINGE



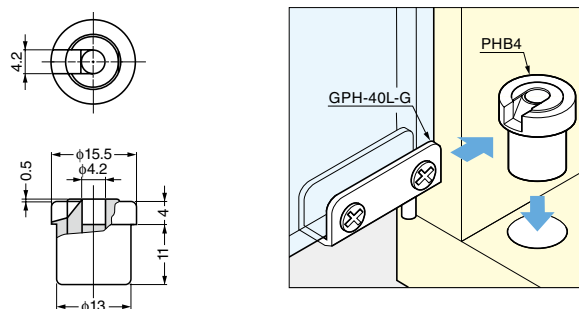
PHB4



Features

- Bottom socket for GPH-40 glass door hinge.
- Use GPH-41 hinge on upper side.

Installation



Item Code	Item Name	Material	Colour	Weight	Carton
170-083-509	PHB4	Polyamide (PA)	Black	5 g	400 pcs