

GLASS HINGE (INSET)



GS-GH20



Features

- For inset glass doors
- Can be used together with glass bracket GS-GB20 and lock GS-GL20 for a total design of your showcase.
- Temporary holding feature allows the door to be installed easily by one person.
- Sideways adjustment (± 2.5 mm) possible after installation of the door.
- The gap below the door is adjustable from 3 mm to 5 mm with the included washer.

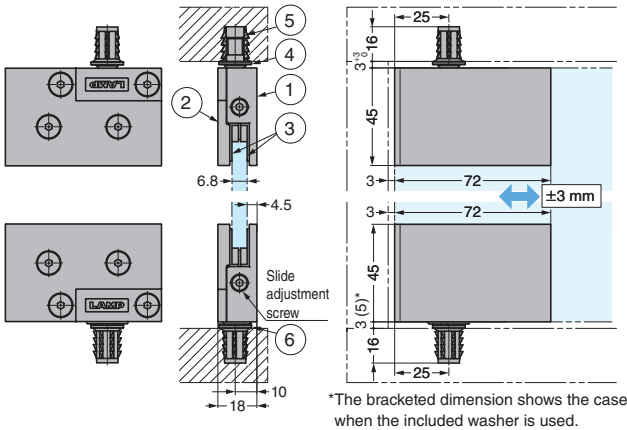
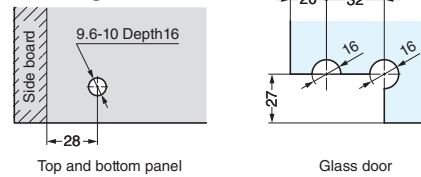
Remarks

- Glass door weight is preferred to door size.
- Please use different gaskets supplied with item for 6 mm thickness glass door.
- Film on glass door is recommended for safe usage.
- Prepare door stopper separately.

Parts supplied with set

- Gasket (For 6 mm thickness glass door)
- Spanner Hex.3

Installation Drawings



*The bracketed dimension shows the case when the included washer is used.

No.	Part Name	Material	Finish/Colour
①	Body	Zinc Alloy (ZDC)	Chrome, Gold (24K) Plated, Black
②	Back Plate		
③	Gasket	Chloroprene Rubber (CR)	Black
④	Axis	Stainless Steel	Plain
⑤	Insert	Zinc Alloy (ZDC)	-
⑥	Washer (t: 2)	Brass	Nickel

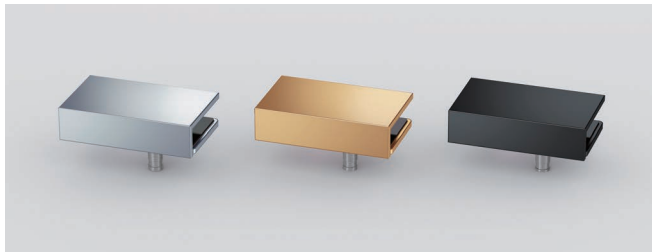
Sold in set (2 pcs).

CAD	Item Code	Item Name	Finish	Door Width (mm)	Door Height (mm)	Glass Thickness (mm)	Door Weight N/set	Door Weight kgf/set
2D/3D	170-041-445	GS-GH20-CR	Chrome	Max. 700	Max. 1,600	6, 8	196	20
2D/3D	170-041-446	GS-GH20-GP	Gold (24K) Plated					
2D/3D	170-041-447	GS-GH20-BL	Black					

GLASS BRACKET



GS-GB20



Features

- For use with glass hinge GS-GH20 in case of glass top cabinet.
- Can be used together with glass hinge GS-GH20 and lock GS-GL20 for a total design of your showcase.

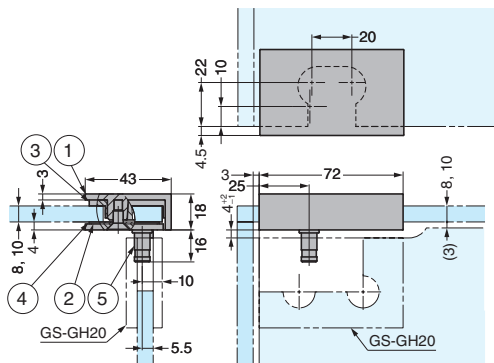
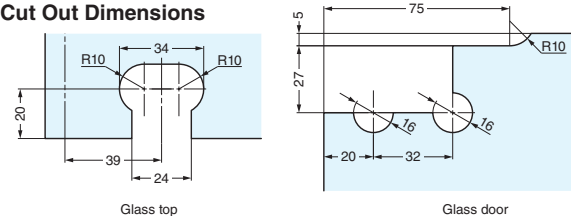
Remarks

- For use with glass hinge GS-GH20 for installation on cabinets with a glass top.
- Can be used together with glass hinge GS-GH20 and lock GS-GL20 for a complete unified design for your showcase.
- For use in 8 mm thickness glass door, please use with the upper gasket which is included.

Parts supplied with set

Upper Gasket (For 8 mm thickness glass door)

Cut Out Dimensions



Drawing shows left side installation

No.	Part Name	Material	Finish/Colour
①	Body	Zinc Alloy (ZDC)	Chrome, Gold (24K) Plated, Black
②	Plate	Stainless Steel (SUS430)	
③	Upper Gasket (For 8 mm thickness glass)	Chloroprene Rubber (CR)	Black
④	Lower Gasket	Chloroprene Rubber (CR)	Black
⑤	Axis	Stainless Steel	Plain

CAD	Item Code	Item Name	Type	Finish	Glass Thickness (mm)
2D/3D	170-041-448	GS-GB20-R-CR	Right Side	Chrome	8, 10
2D/3D	170-041-449	GS-GB20-L-CR	Left Side		
2D/3D	170-041-450	GS-GB20-R-GP	Right Side	Gold (24K) Plated	
2D/3D	170-041-451	GS-GB20-L-GP	Left Side		
2D/3D	170-041-452	GS-GB20-R-BL	Right Side	Black	
2D/3D	170-041-453	GS-GB20-L-BL	Left Side		