

# GLASS HINGE (INSET)

# GS-GH20

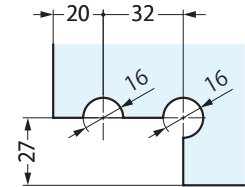


Chrome (CR)

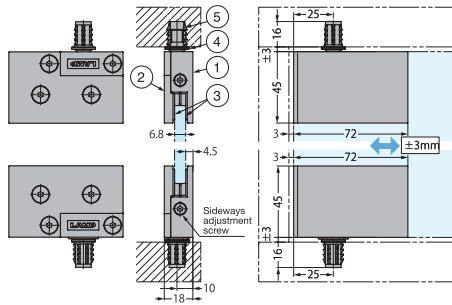
Gold Plated (GP)

Black (BL)

- Glass showcase hinge for inset door application.
- Can be used with the Million Lock Cylinder GS-GL20 to ensure unified design (lock, catch and hinge).
- Temporary hold function that enables a single person to install the door.
- Adjustments for up to  $\pm 3$ mm by simply turning the adjustment screw.



Cut Out Dimension



No.	Part Name	Material	Finish
①	Body	Zinc Alloy	Chrome, 24K Gold Plated, Black
②	Back Plate		
③	Washer	Chloroprene Rubber	Black
④	Axis	Stainless Steel	Stainless Steel
⑤	Tube	Polyvinyl Chloride	-

Item Name	Door Width (mm)	Door Height (mm)	Door Weight (kg)	Glass Thickness (mm)	Finish
GS-GH20-CR	Max. 17-3/4" (700)	Max. 23-5/8" (1600)	11 lbs (5)/2 pcs	Min. 1/4-5/16" (6-8)	Chrome
GS-GH20-GP					Gold Plated
GS-GH20-BL					Black

# GLASS BRACKET

# GS-GB20

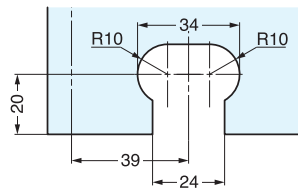
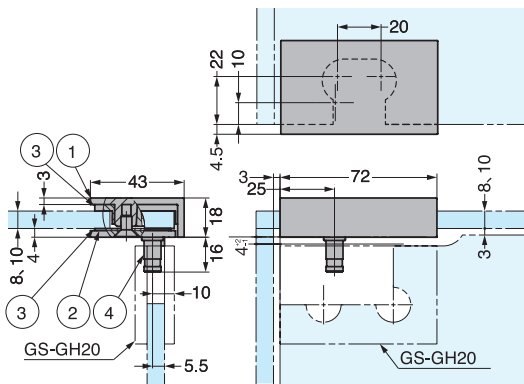


Chrome (CR)

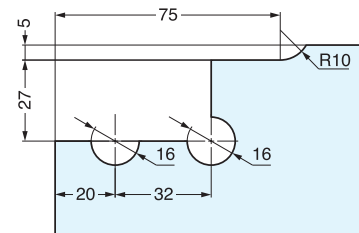
Gold Plated (GP)

Black (BL)

- Can be used together with glass hinge GS-GH20 (above) and lock GS-GL20.



Cut Out Dimension



Item Name	Type	Glass Thickness(mm)	Finish
GS-GB20-R-CR	Right	5/16-3/8" (8-10)	Chrome Plated
GS-GB20-L-CR	Left		
GS-GB20-R-GP	Right		24K Gold Plated
GS-GB20-L-GP	Left		
GS-GB20-R-BL	Right		Black Painted
GS-GB20-L-BL	Left		

No.	Part Name	Material	Finish
①	Body	Zinc Alloy	Chrome, 24K Gold Plated, Black Painted
②	Back Plate	304 Stainless Steel	
③	Washer	Chloroprene Rubber	Black
④	Rotating Axis	Stainless Steel	Stainless Steel