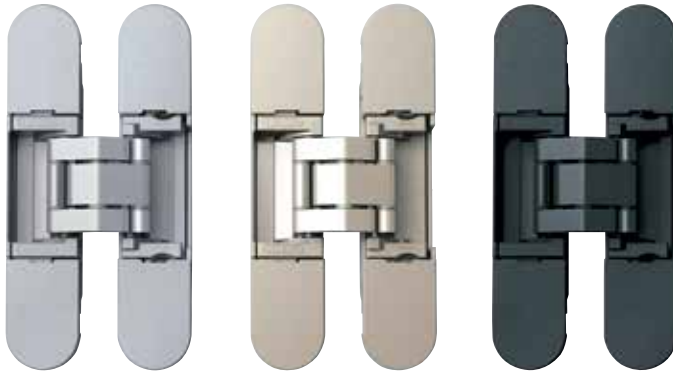


3-WAY ADJUSTABLE CONCEALED HINGE



HES3D-90

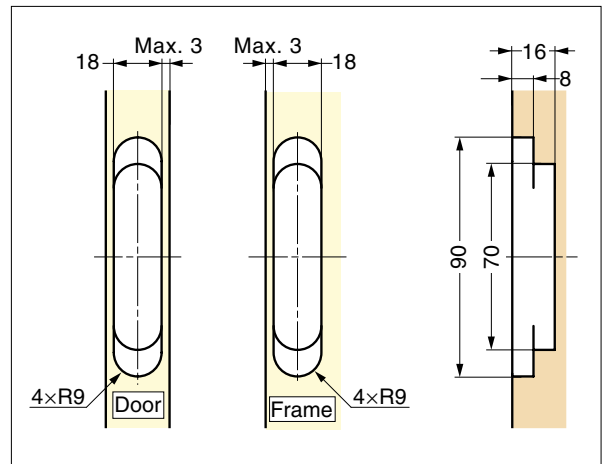
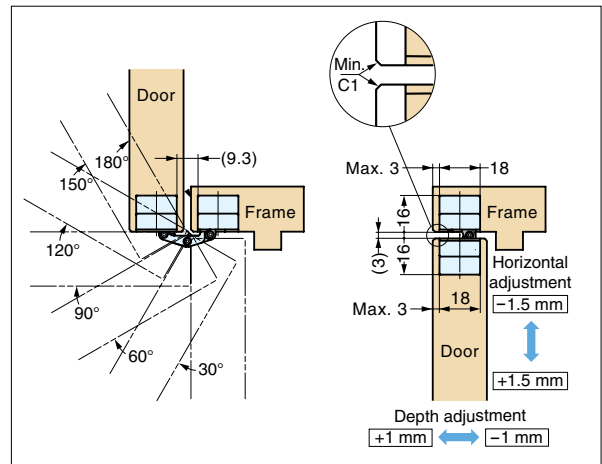
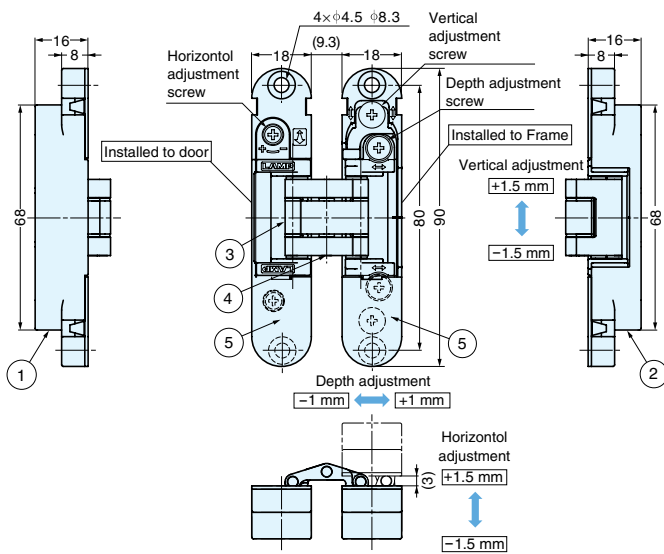


HES3D-90DC

HES3D-90DN

HES3D-90BL

- 3-WAY adjustment function allows vertical, horizontal, and depth adjustment.
- Covers hide all screw heads for clean appearance.
- Hinge leaves separate for easy installation and adjustment.
- Door weight: Max. 12 kg (26 lbs)/2 pcs, 16 kg (35 lbs)/3 pcs
- Door thickness: Min. 23 mm (15/16")
- Max door size: H 1500 mm x W 600 mm (59-1/16" x 23-5/8")
- Includes steel countersunk wood screws.



Cut Out Dimensions

No.	Part Name	Material	Finish/Color		
			DC	DN	BL
①	Body	Zinc Alloy (ZDC)	Dull Chrome	Dull Nickel	Black
②	Base Frame				
③	Arm	Stainless Steel	-	-	-
④	Shaft				
⑤	Cover	ABS	Dull Chrome	Dull Nickel	Black

Item No.	Finish	Min. Door Thickness	Weight (g)	Box (pcs)	Carton (pcs)
HES3D-90DC	Dull Chrome	23 (15/16")	198	2	48
HES3D-90DN	Dull Nickel				
HES3D-90BL	Black				