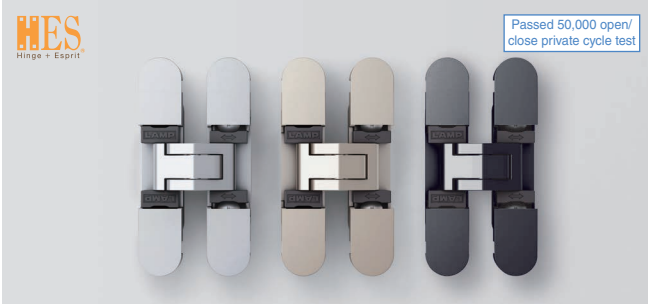


3-WAY ADJUSTABLE CONCEALED HINGE

INSTRUCTION

HES3D-70



Features

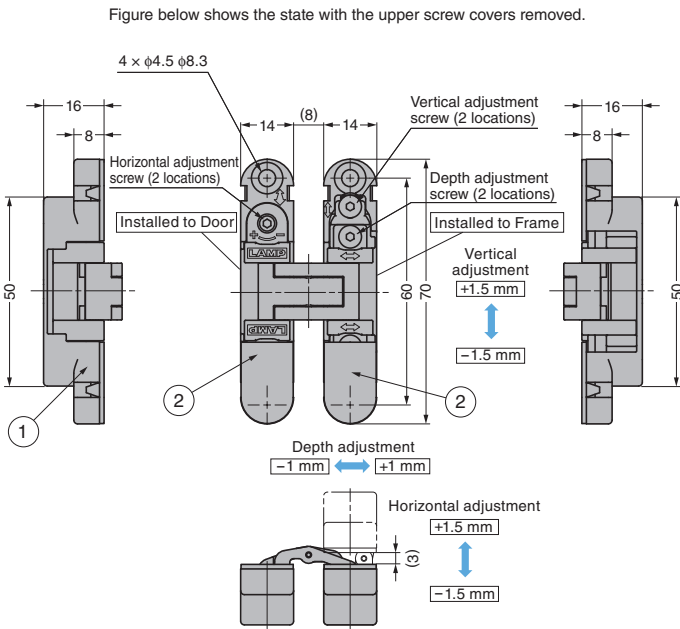
- Small HES series can be applied with Min. door thickness of 19 mm.
- Small bore depth, easy to cut out the door and frame.
- 3-way adjustment function allows vertical, horizontal, and depth adjustment after hinge installed.
- Hinge can be split into the door side and the frame side.

Remarks

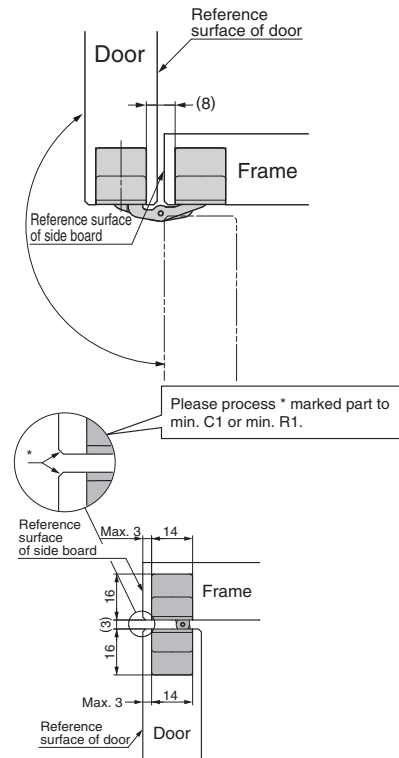
- Can not be used with LAPCON DOOR DAMPER LDD or LAPCON DOOR CLOSER LDC-N2.
- Can not be used with lid stays or door dumper.
- Use below opening angle 180°.

Parts Included

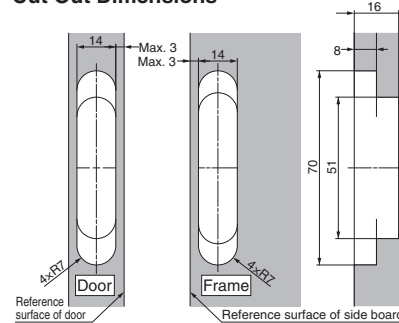
- Countersunk head tapping screw 4 × 20 (4 pcs/hinge) SUS
- Hex key 2



Locus Chart



Cut Out Dimensions



No.	Part Name	Material	Finish		
			DC	DN	BL
①	Body	Zinc Alloy (ZDC)	Satin Chrome	Dull Nickel	Black Paint
②	Cover (2 pairs)	ABS	Silver Paint	Champagne Gold Paint	Black

CAD	Item Code	Item Name	Colour	Door Width (mm)	Door Height (mm)	Door Thickness (mm)	Door Weight kg/2 pcs	Door Weight kg/3 pcs	Opening Angle	Weight (g)	Box (pcs)	Carton (pcs)
2D/3D	170-035-441	HES3D-70DC	Silver	Max. 600	Max. 1200	Min. 19	Max. 9	Max. 12	180°	95	2	48
2D/3D	170-035-442	HES3D-70DN	Champagne Gold								2	48
2D/3D	170-035-443	HES3D-70BL	Black								2	48