

Flat suction cup (round)

<https://www.schmalz.com/10.01.01.00023>



PFG 2 SI-55 N003

Part no.: 10.01.01.00023

Homepage > Vacuum Technology for Automation > Vacuum Components > Vacuum Suction Cups > PFG 2 SI-55 N003

Flat suction cup (round) for smooth or slightly rough surfaces



Size: 2

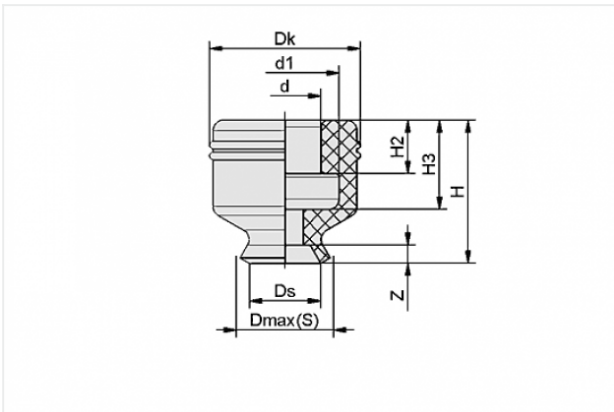
Suction cup material: Silicone SI

Material hardness: 55 °Sh

Material characteristics:

FDA-compatible

Design Data



Attribute	Value
-----------	-------

d	2 mm
---	------

d1	3 mm
----	------

Dk	4.2 mm
----	--------

Dmax(S)	3 mm
---------	------

Ds	2 mm
----	------

H	4 mm
---	------

H2	1.5 mm
----	--------

H3	2.5 mm
----	--------

Z	0.5 mm
---	--------

Technical Data

Contact to Schmalz

J. Schmalz GmbH | Johannes-Schmalz-Straße, 72293 Glatten, Deutschland | +49 7443 2403-102 | customercenter@schmalz.de

Attribute	Value
Suction force	0.12 N
Volume	0.014 cm ³
Curve radius (min) (convex)	2 mm
Size	2
Nipple	N 003
Number of folds	0
Suction cup material	Silicone SI
Material hardness	55 °Sh
Weight	0.1 g
Product family	PFG

Accessories



SA-NIP N003 M3-AG DN100

Part no. 10.01.01.00316

Suction cup connection nipple

Nipple: N 003

Thread G1: M3-M

Overall length: 7.5 mm

Fitting length: 2 mm

Nominal size: 1.00 mm

Material: Aluminium