

**LAMP**

HES  
Hinge System

# INSTALLATION MANUAL FOR HES3D-120 CONCEALED HINGE (3-DIMENSIONAL ADJUSTABLE HINGE)

Read all instructions carefully for proper use.

## ⚠️ WARNINGS

- For indoor use only. Not suitable for areas where it can be in direct contact with water.
- Use in conjunction with a door closer is not recommended. For soft-close option, we recommend Sugatsune LDD-V or LDD-S door damper.
- Regarding usage with other types of concealed door closers we recommend using the hinge HES3D-160 instead.



## COMPONENT PARTS

- CONCEALED HINGE 2 pcs
- Screw Cover 2 pcs.ea. (Door side, Frame side)
- Flat Head Screw (5x 20) 4 pcsx 2
- Hex Key (Key size 3) 1 pc
- Template 1 pc
- INSTALLATION MANUAL

## HINGE PARTS

### ITEM NO. / FINISH

ITEM NO.	FINISH
HES3D-120DC	Dull Chrome
HES3D-120DN	Dull Nickel
HES3D-120BL	Black

### DOOR SPECIFICATIONS

Recommended door dimensions :

Maximum Door Weight	30kg (66lbs) per 2 hinges
	40kg (88lbs) per 3 hinges
Minimum Door Thickness	29mm (1-9/64)
Maximum Door Height	2400mm (94)
Maximum Door Width	900mm (36)

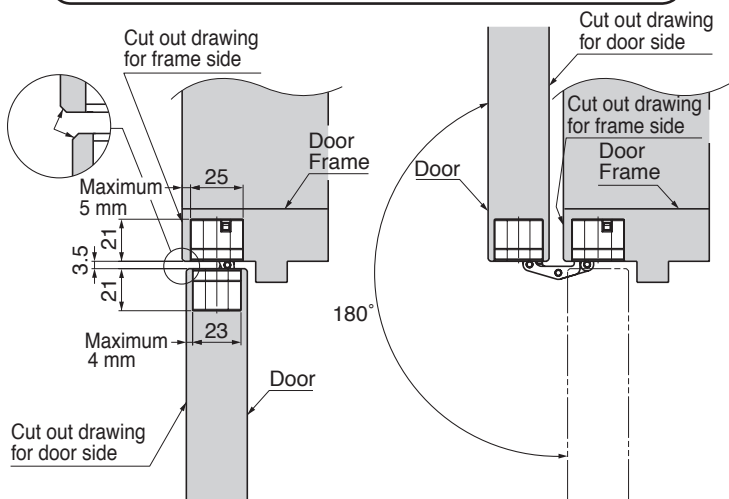
### ADJUSTMENTS

Vertical adjustment	± 2.5mm
Horizontal adjustment	± 2mm
Front / back adjustment	± 1mm

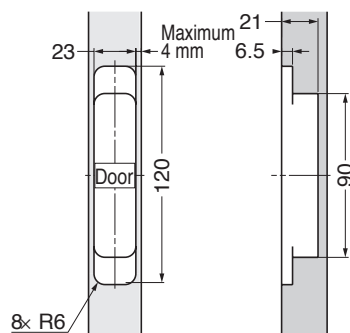
### CUT OUT DRAWING

#### ⚠️ Caution

Round edges of door and frame by applying cuts with "C1 and over" or "R1 and over." (Reference to "※" in the drawing.)



#### Cut out drawing for door side



#### Cut out drawing for frame side

