

3-WAY ADJUSTABLE CONCEALED HINGE INSTRUCTION VIDEO HES3D-V135LGR



Features

- Small bore depth for compact assembly.
- 3-way adjustment function allows vertical, horizontal, and depth adjustment after hinge installed.
- Easy installation: Hinge can be split into the door side and the frame side and has temporary door holding feature.
- Unique seven link structure helps to prevent door sagging.

Remarks

- Our original new link arm mechanism provides different locus from other products of the same series. Please confirm the position where the door is opened by 90° on the left figure.
- Can be used with Sugatsune door damper/door closer shown below. Please check and follow product specifications.
 - LAPCON DOOR DAMPER LDD-S
 - LAPCON DOOR DAMPER LDD-V
 - LAPCON DOOR CLOSER LDC-N2
- Using with other door closers might lead to hinge damage.
- For using Sugatsune door closer, please install the door holder separately at the stop position.

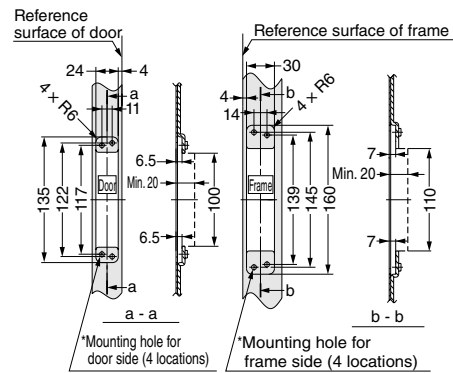
Parts Included

Binding head tapping screw 5 × 15

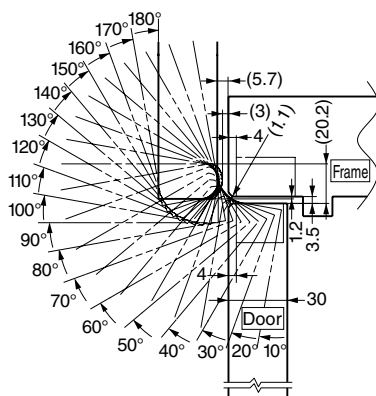
Option

Installation template HES3D-V135-TMP

Cut Out Dimensions



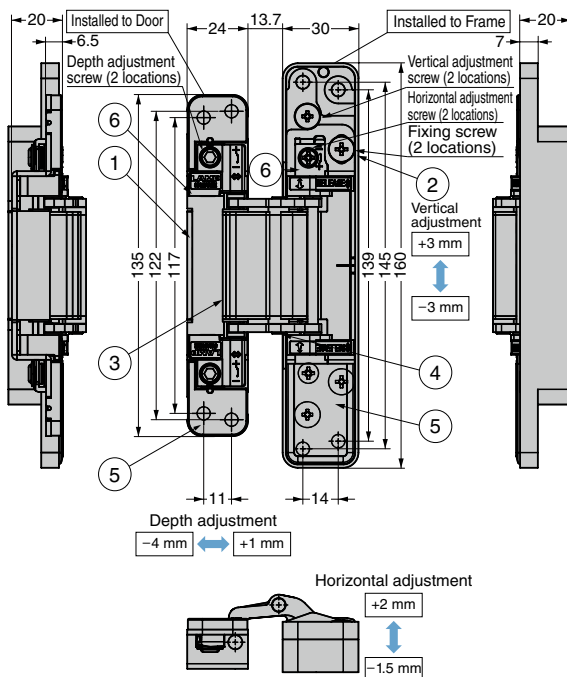
Locus Chart



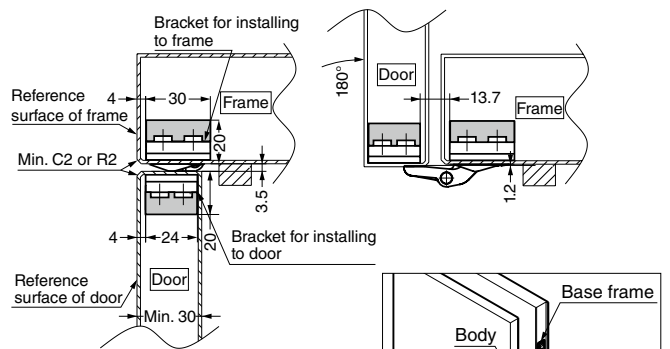
Video Link



Motion Design Video Locus & Open/Close Angle



Installation



Temporary Holding Feature

1. Hinge can be split into the body and base frame. Install the body to the door and the base frame to the frame.
2. Push the hinge body horizontally into the base frame in the direction of the arrow. The door is held to the frame due to the temporary holding feature.
3. Temporarily tighten the fixing screws and adjust the door position.
4. After adjustment, tighten the fixing screws completely to fix the hinge body.

No.	Part Name	Material	Finish / Colour
①	Body	Steel	Nickel
②	Base Frame	POM	Light Grey
③	Arm	Aluminium Alloy	Anodised Silver
④	Shaft	Steel	Nickel
⑤	Cover	POM	Light Grey
⑥	Adjustment Block	Zinc Alloy (ZDC)	Nickel

CAD	Item Code	Item Name	Door Width	Door Height	Door Thickness	Frame Thickness	Door Weight kg/2 pcs	Door Weight kg/3 pcs	Opening Angle	Weight (g)	Box (pcs)	Carton (pcs)
3D	170-020-804	HES3D-V135LGR	Max. 900	Max. 2400	Min. 30	Min. 20	Max. 40	Max. 55	180°	400	2	24

HINGES

3-WAY ADJUSTABLE CONCEALED HINGE