

# LIFT-OFF HINGE (WELD-ON) HG-LSH



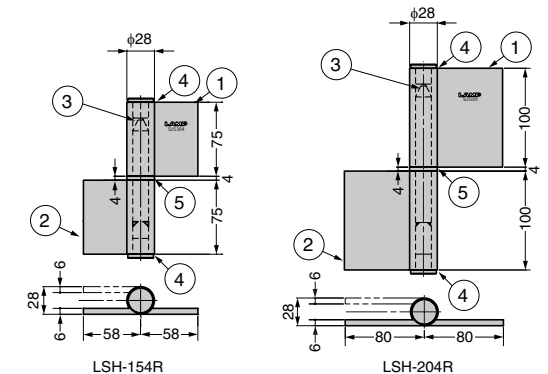
- Uses 6mm thick stainless steel for heavy duty doors.
- Oilless ring provides smooth movement.
- With head caps for beautiful appearance.

**[Applications]**

- Large doors, gate doors, and other rotation mechanism of heavy objects, etc.

**[Remarks]**

- Load capacity is the value when using two hinges. For calculation conditions, please refer to INDEX 1-1.



No.	Part Name	Material	Finish
①	Door Side Leaf	Stainless Steel (SUS304)	Satin
②	Frame Side Leaf		Plain
③	Pin		
④	Finial		
⑤	Ring		

※Open/close test under the following conditions:  
 Three hinges used vertically, door size W900×H2000  
 When using HG-LSH-154: Door weight 250kg  
 When using HG-LSH-204: Door weight 280kg

RHS	CAD	Item Code	Item Name	Type	Load Capacity N/2 pcs	Load Capacity kgf/2 pcs	Weight (g)	Box (pcs)	Carton (pcs)
G	BD	170-034-219	HG-LSH-154L	Left-handed	1961	200	1020	6	12
G	BD	170-034-220	HG-LSH-154R	Right-handed				6	12
G	BD	170-034-221	HG-LSH-204L	Left-handed	2177	222	1540	-	6
G	BD	170-034-222	HG-LSH-204R	Right-handed				-	6

Refer to 1-1 : P.15

TORQUE HINGES

DAMPER HINGES

LIFT ASSIST HINGES

DETENT HINGES

CONCEALED HINGES

BUTT HINGES

PIANO HINGES

STEP HINGES

LIFT-OFF HINGES

PIVOT HINGES

SPRING HINGES

CLEAN ROOM HINGES

HINGES FOR ALUMINIUM FRAME

DROP HINGES

GLASS DOOR HINGES

SPECIAL HINGES