

CLEAN ROOM HINGE HG-CV-127



- Suitable for use in a clean room.
- Built-in thrust bearing and needle bearing reduce metal-to-metal friction.
- Seal of rotating part prevents metal powder from scattering.
- Welded curl part provides excellent durability.

[Applications]

- Semiconductor manufacturing equipment, clean room, etc.

[Remarks]

- Install the shaft downwards on the door side.
- Load capacity and open/close test under the following conditions: door size H2000×W900mm, door weight 100kg, two hinges used, installation pitch 1600mm.

TORQUE HINGES

DAMPER HINGES

LIFT ASSIST HINGES

DETENT HINGES

CONCEALED HINGES

BUTT HINGES

PIANO HINGES

STEP HINGES

LIFT-OFF HINGES

PIVOT HINGES

SPRING HINGES

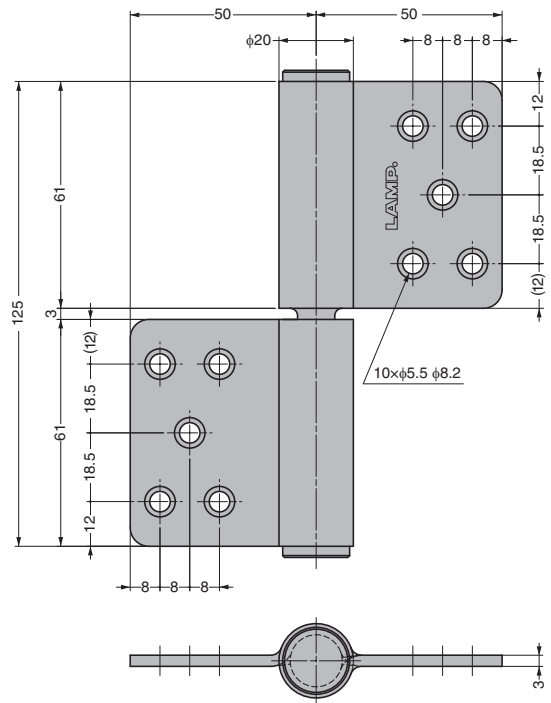
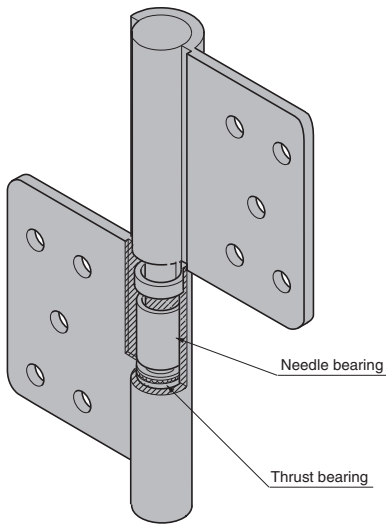
CLEAN ROOM HINGES

HINGES FOR ALUMINIUM FRAME

DROP HINGES

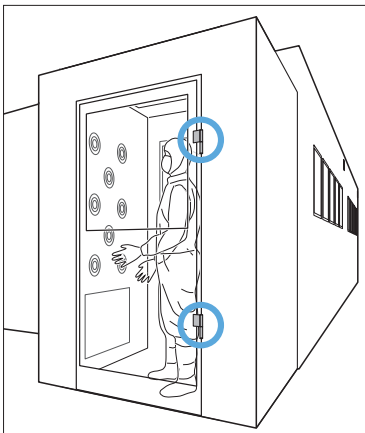
GLASS DOOR HINGES

SPECIAL HINGES



Drawing above is HG-CV-127R.

[Application Example]



RHS	CAD	Item Code	Item Name	Type	Material	Finish	Load Capacity N/2 pcs	Load Capacity kgf/2 pcs	Weight (g)	Box (pcs)	Carton (pcs)
		170-013-013	HG-CV-127L	Left-handed	Stainless Steel (SUS304)	Satin/Polished	981	100	388	10	50
		170-014-422	HG-CV-127R	Right-handed						10	50