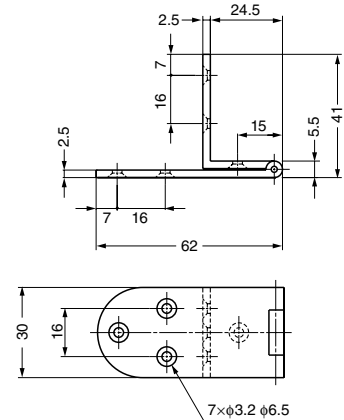
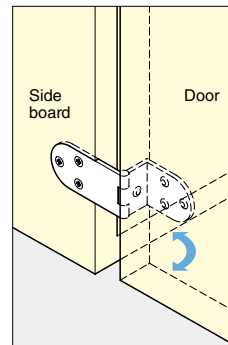


OVERLAY DOOR ANGLE HINGE

L=R AHA-24



Remarks
Recommended for use in pairs.



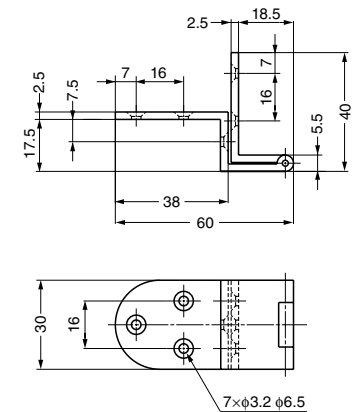
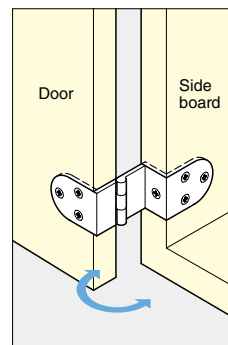
Item Code	Item Name	Material	Finish	Door				Weight	Box	Carton
				Width	Height	Thickness	Weight			
170-090-030	AHA-24SG	Brass	Satin Gold	Max. 450	Max. 700	24	Max. 2.6 kg/2 pcs	70 g	50 pcs	200 pcs
170-090-031	AHA-24WB	Brass	Satin Nickel	Max. 450	Max. 700	24	Max. 2.6 kg/2 pcs	70 g	50 pcs	200 pcs

OVERLAY DOOR ANGLE HINGE

L=R AHB-18



Remarks
Recommended for use in pairs.



Item Code	Item Name	Material	Finish	Door				Weight	Box	Carton
				Width	Height	Thickness	Weight			
170-090-035	AHB-18SG	Brass	Satin Gold	Max. 450	Max. 700	18	Max. 2.6 kg/2 pcs	76 g	50 pcs	200 pcs
170-090-036	AHB-18WB	Brass	Satin Nickel	Max. 450	Max. 700	18	Max. 2.6 kg/2 pcs	76 g	50 pcs	200 pcs