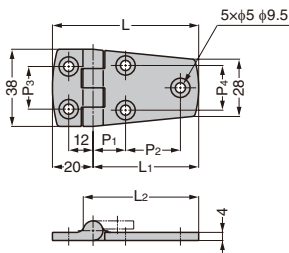
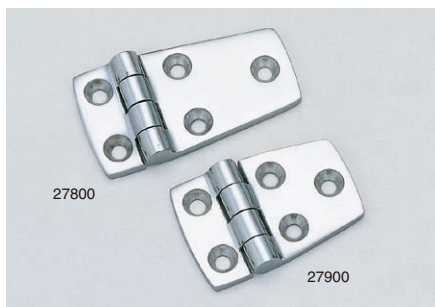


BUTT HINGE 27800, 27900

SUS316



[Remarks]

- Recommended for use in pairs.
- Load capacity is the value when using two hinges. For calculation conditions, please refer to INDEX 1.

RoHS	CAD	Item Code	Item Name	Material	Finish	L	L ₁	L ₂	P ₁	P ₂	P ₃	P ₄	Door Width	Door Height	Door Thickness	Load Capacity N/2 pcs	Load Capacity kg/2 pcs	Weight (g)	Box (pcs)	Carton (pcs)
☑	SD	170-096-008	27900	Stainless Steel (SCS14)	Polished	58	38	42	13.5	16.5	21	20	Max.	Max.	Max.	167	17	70	20	100
☑	SD	170-096-007	27800	Stainless Steel (SCS14)	Polished	72	52	57	16	27	22	21	450	700	21	167	17	85	20	100

Refer to 1 : P.15

※SCS14 is equivalent of SUS316.

TORQUE HINGES

DAMPER HINGES

LIFT ASSIST HINGES

DETENT HINGES

CONCEALED HINGES

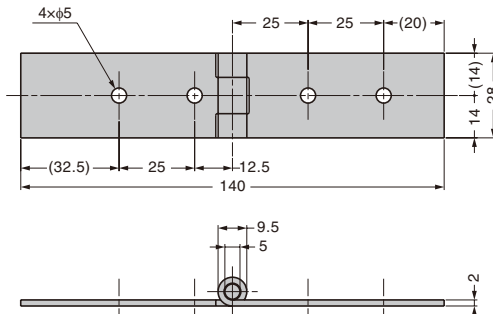
BUTT HINGE SYR140

SUS



[Remarks]

- Load capacity is the value when using two hinges. For calculation conditions, please refer to INDEX 1.



RoHS	CAD	Item Code	Item Name	Material	Load Capacity N/2 pcs	Load Capacity kg/2 pcs	Finish	Weight (g)	Carton (pcs)
☑	SD	170-099-045	SYR140	Stainless Steel (SUS304)	69	7	Plain	74	300

Refer to 1 : P.15

BUTT HINGES

PIANO HINGES

STEP HINGES

LIFT-OFF HINGES

PIVOT HINGES

SPRING HINGES

CLEAN ROOM HINGES

HINGES FOR ALUMINIUM FRAME

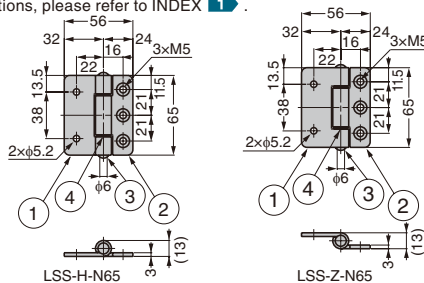
BUTT HINGE LSS

SUS



[Remarks]

- Load capacity is the value when using two hinges. For calculation conditions, please refer to INDEX 1.



No.	Part Name	Material	Finish
①	Body A	Stainless Steel (SUS304)	Satin
②	Body B		
③	Shaft		
④	Washer		

RoHS	CAD	Item Code	Old Item Code	Item Name	Holes	Load Capacity N/2 pcs	Load Capacity kg/2 pcs	Weight (g)	Box (pcs)	Carton (pcs)
☑	SD	170-090-542	-	LSS-H-A65	Without screw holes	245	25	125	30	120
☑	SD	170-090-545	170-090-541	LSS-H-N65	With screw holes				30	120
☑	SD	170-090-548	-	LSS-Z-A65	Without screw holes				30	120
☑	SD	170-090-547	-	LSS-Z-N65	With screw holes				30	120

Refer to 1 : P.15

※Item code has been revised.

DROP HINGES

GLASS DOOR HINGES

SPECIAL HINGES