

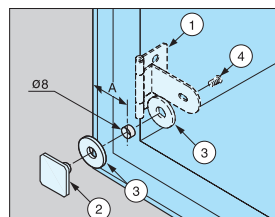
# INSET GLASS DOOR HINGE



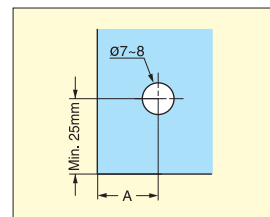
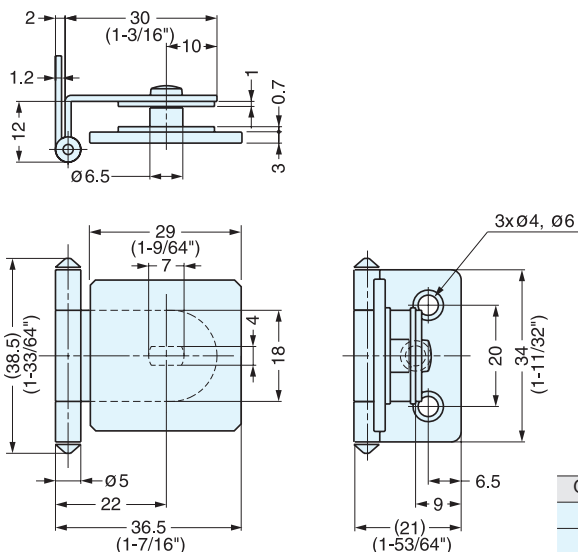
## GH-34-0CR-K



- Hinge for glass/acrylic doors.
- Door thickness: 4~6 mm.
- Door size: Max. W450 × H700 (W17-3/4" × H27-9/16")
- Door weight: Max. 4 kg/pair (8.8 lbs/pair)
- Rounded plate GH-34/0/CR is available.



Installation



Cut Out Dimension

Glass Thickness (mm)	A (mm)
4	19
5	18
6	17

No.	Part Name	Material	Finish/Color
①	Body	Steel	Chrome
②	Plate	Zinc Alloy	
③	Washer	PVC	Clear
④	Screw	Steel	Nickel

Item No.	Weight (g)	Box (pcs)	Carton (pcs)
GH-34-0CR-K	34	150	900

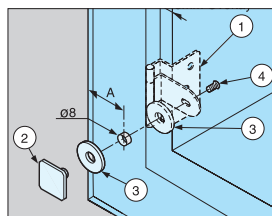
# HALF OVERLAY GLASS DOOR HINGE



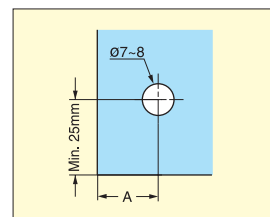
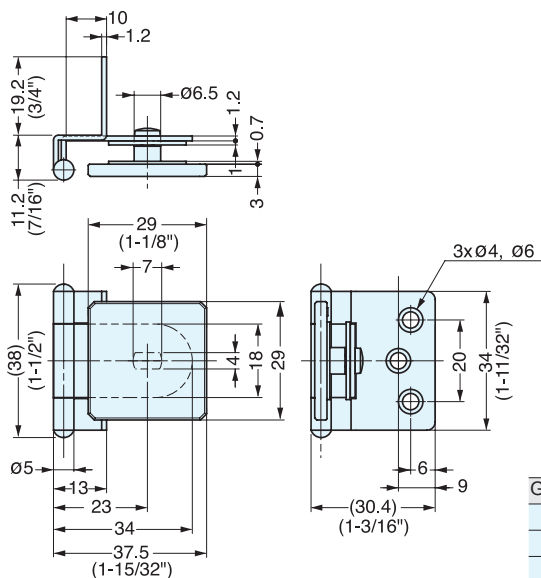
## GH-34-8CR-K



- Half overlay.
- Hinge for glass/acrylic doors.
- Door thickness: 4~6 mm.
- Door size: Max. W450 × H700 (W17-3/4" × H27-9/16")
- Door weight: Max. 4 kg/pair (8.8 lbs/pair)
- Rounded plate GH-34/8/CR is available.



Installation



Cut Out Dimension

Glass Thickness (mm)	A (mm)	Overlay (mm)
4	19	8
5	18	7
6	17	6

No.	Part Name	Material	Finish/Color
①	Body	Steel	Chrome
②	Plate	Zinc Alloy	
③	Washer	PVC	Clear
④	Screw	Steel	Nickel

Item No.	Weight (g)	Box (pcs)	Carton (pcs)
GH-34-8CR-K	37	50	500