

# Flat suction cup (round)

<https://www.schmalz.com/10.01.01.13000>



## PFYN 2 HT1-60 M3-AG

Part no.: 10.01.01.13000

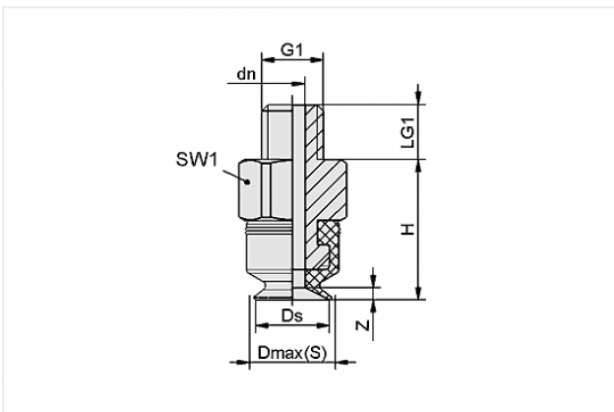
Homepage > Vacuum Technology for Automation > Vacuum Components > Vacuum Suction Cups > Flat Suction Cups (Round) > Flat Suction Cups  
PFYN > PFYN 2 HT1-60 M3-AG

### Flat suction cup (round) for smooth or slightly rough surfaces



Size: 2  
Suction cup material:  
High temp material HT1  
Material hardness: 60 °Sh  
Material property: non-marking  
Nipple material: Aluminium  
Vacuum connection: M3-M

### Design Data



Attribute	Value
-----------	-------

dn	1 mm
Dmax(S)	2.5 mm
Ds	2 mm
G1	M3-M
H	6 mm
LG1	3 mm
SW1	5 mm
Z	0.5 mm

### Technical Data

#### Contact to Schmalz

J. Schmalz GmbH | Johannes-Schmalz-Straße, 72293 Glatten, Deutschland | +49 7443 2403-102 |  
customercenter@schmalz.de

Attribute	Value
Suction force	0.12 N
Volume	0.001 cm <sup>3</sup>
Curve radius (min) (convex)	2 mm
Internal hose diameter (recom.)	2 mm
Size	2
Number of folds	0
Suction cup material	High temp material HT1
Material hardness	60 °Sh
Weight	1 g
Product family	PFYN

**Note:**

- Suction force: The specified suction forces are theoretical values at a vacuum of -0.6 bar and with a smooth, dry workpiece surface - they do not include a safety factor
- Hose diameter: The recommended hose diameter refers to a hose length of approx. 2 m

**Spare Parts**



**SA-NIP N003 M3-AG DN100**

Part no. 10.01.01.00316

Suction cup connection nipple

Nipple: N 003

Thread G1: M3-M

Overall length: 7.5 mm

Fitting length: 2 mm

Nominal size: 1.00 mm

Material: Aluminium



**PFG 2 HT1-60 N003**

Part no. 10.01.01.12967

Flat suction cup (round) for smooth or slightly rough surfaces

Size: 2

Suction cup material:

High temp material HT1

Material hardness: 60 °Sh