

INSET GLASS DOOR HINGE

L=R GH34-0

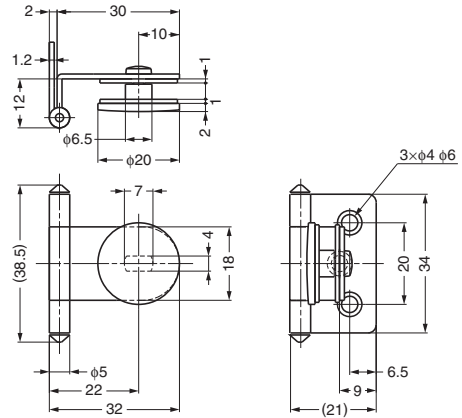


Features

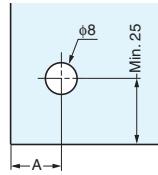
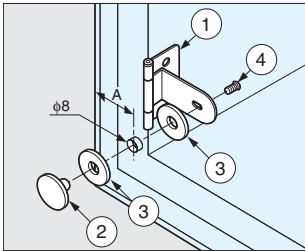
Hinge for glass/acrylic doors.

Remarks

Recommended for use in pairs.



Cut Out Dimensions



Glass Thickness	A
4	19
5	18
6	17

No.	Part Name	Material	Finish/Colour
①	Body	Steel	Chrome, Paint/Black, Gold, Clear
②	Plate	Zinc Alloy (ZDC)	Chrome, Paint/Black, Gold, Clear
③	Washer	Polyvinyl Chloride Resin (PVC)	Clear
④	Screw	Steel	Nickel, Paint/Black, Gold, Clear

Item Code	Item Name	Finish	Door Width	Door Height	Glass Thickness	Door Weight	Weight	Box	Carton
170-083-513	GH34-0CR	Chrome	Max. 450	Max. 700	4, 5, 6	Max. 4 kg/2 pcs	23.5 g	150 pcs	900 pcs
170-025-831	GH34-0BL	Paint/Black	Max. 450	Max. 700	4, 5, 6	Max. 4 kg/2 pcs	23.5 g	150 pcs	900 pcs
170-012-158	GH34-0G	Gold, Clear	Max. 450	Max. 700	4, 5, 6	Max. 4 kg/2 pcs	23.5 g	200 pcs	-

HALF OVERLAY GLASS DOOR HINGE

L=R GH34-8

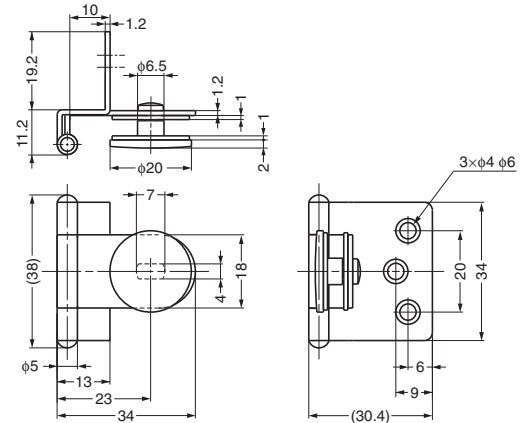


Features

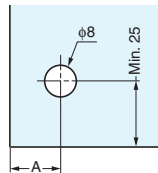
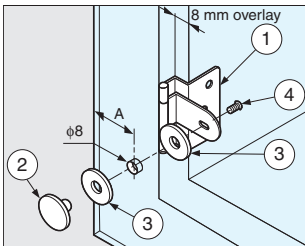
Hinge for glass/acrylic doors.

Remarks

Recommended for use in pairs.



Cut Out Dimensions



Glass Thickness	A	Overlay
4	19	8
5	18	7
6	17	6

No.	Part Name	Material	Finish/Colour
①	Body	Steel	Chrome, Paint/Black, Gold, Clear
②	Plate	Brass	Chrome, Paint/Black, Gold, Clear
③	Washer	Polyvinyl Chloride Resin (PVC)	Clear
④	Screw	Steel	Nickel, Paint/Black, Gold, Clear

Item Code	Item Name	Finish	Door Width	Door Height	Glass Thickness	Door Weight	Weight	Box	Carton
170-083-528	GH34-8CR	Chrome	Max. 450	Max. 700	4, 5, 6	Max. 4 kg/2 pcs	25 g	50 pcs	500 pcs
170-025-832	GH34-8BL	Paint/Black	Max. 450	Max. 700	4, 5, 6	Max. 4 kg/2 pcs	25 g	50 pcs	500 pcs
170-012-159	GH34-8G	Gold, Clear	Max. 450	Max. 700	4, 5, 6	Max. 4 kg/2 pcs	25 g	200 pcs	-

HINGES FOR GLASS DOORS
GLASS DOOR HINGE