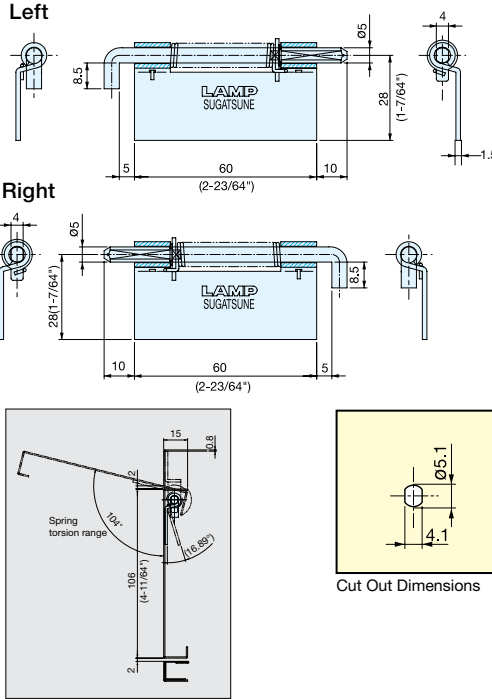


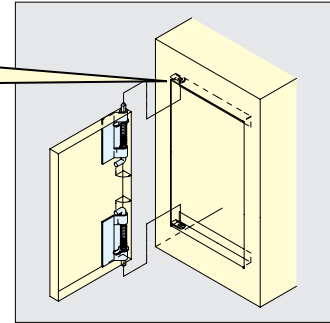
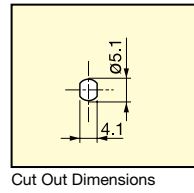
SPRING LOADED PIVOT HINGE (WELDABLE)



HG-PV60AC



- Spring loaded for self closing.
- Lift pin for easy door installation and removal.
- Torsion moment (Hinge closed): 0.76 kgf-cm (0.66 lb-in) per piece



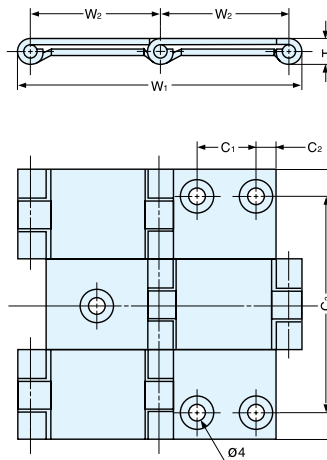
Item No.	Weight (g)	Box (pcs)	Carton (pcs)
HG-PV60AC-L	38	50	200
HG-PV60AC-R			

Material	Finish
304 Stainless Steel	Plain

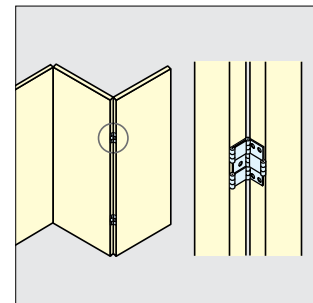
DOUBLE ACTION HINGE



HG-BH



- Opens 180° in both left and right direction.
- Door Size: Max. W450 x H700 (W17-23/32" x H27-9/16")
- Door weight: Max. 2.6 kg/pair (5.7 lbs/pair).



Material	Finish
304 Stainless Steel	Satin

Item No.	W ₁	W ₂	T	H	C ₁	C ₂	C ₃	Weight (g)	Box (pcs)	Carton (pcs)
HG-BH60	64 (2-33/64")	29.0 (1-9/64")	5.5	60 (2-23/64")	13.5 (17/32")	4.8	47	65	20	260
HG-BH70	78 (3-5/64")	35.0 (1-3/8")	7.5	70 (2-3/4")		6.8	57	130		
HG-BH80	94 (3-5/32")	43.2 (1-45/64")			80 (3-5/32")	22.0 (55/64")	6.5	66	175	10