

FOLDING DOOR SYSTEM

FD30-F



WARDROBE & CABINET DOOR HARDWARE

FOLDING DOOR SYSTEM

| | a | b | c | d |
|----------------|------------------------------------|--|------------------------------|----------------------------|
| Item Code | 250-017-905 | 250-017-908 | 250-018-312 | 250-018-316 |
| Item Name | FD30FKP | FD30UKP | FD30URP-1P | FD30UMP-1P |
| Application | Standard Folding (One Pivot Fixed) | Standard Folding with Roller (One Pivot Fixed) | Slidable (For Partition Use) | Slidable (For Cabinet Use) |
| Door Width | Max. 450 mm | | | |
| Door Height | Max. 2400 mm | | | |
| Door Thickness | Min. 30 mm | | | |
| Door Weight | Max. 15 kg/Door | | | |

| Parts Set (Per Door) | | Necessary Parts | |
|----------------------|-------------|---|--|
| | | Please refer to "Qty a - d" for parts included in each set. | |
| Item Code | Item Name | Description | |
| a | 250-017-905 | FD30FKP | For Pivoted Folding Door |
| b | 250-017-908 | FD30UKP | For Pivoted Folding w/ Roller |
| c | 250-018-312 | FD30URP-1P | For Slidable Folding (For Partition Use) |
| d | 250-018-316 | FD30UMP-1P | For Slidable Folding (For Cabinet Use) |

Parts Included

| No. | Qty | | | | Part Name | Dimensions | Description |
|-----|-----|---|---|---|-------------------------------|--|-------------|
| | a | b | c | d | | | |
| 1 | 1 | - | - | - | Upper Pivot | Item Code : 250-017-162 Item Name : FD30-FTP • Material : Steel / Polyamide • Finish : Chromate / White | |
| 2 | 1 | - | - | - | Guide Roller | Item Code : 250-017-140 Item Name : FD30-FGRU • Material : Steel / Polyamide • Finish : Chromate / White, Black | |
| 3 | - | 2 | 2 | - | Upper Roller (Recessed Mount) | Item Code : 250-026-120 Item Name : FD30-WRH • Material : Zinc Alloy Polyacetal • Finish : Chromate / Light Brown | |
| 4 | - | - | - | 2 | Upper Roller (Side Mount) | Item Code : 250-017-142 Item Name : FD30-WRU • Material : Steel / Polyacetal • Finish : Chromate / Brown | |
| 5 | - | 1 | - | - | Stopper Block | Item Code : 250-017-139 Item Name : FD30-HSB • Material : Polyacetal • Finish : Dark Brown | |
| 6 | 1 | 1 | - | - | Bottom Pin | Item Code : 250-017-163 Item Name : FD30-FBP • Material : Steel / Polyacetal • Finish : Chromate / White | |
| 7 | - | - | 2 | 2 | Guide Pin | Item Code : 250-017-164 Item Name : FD30-FGR • Material : Steel / Polyacetal • Finish : Chromate / White | |
| 8 | 1 | 1 | 1 | 1 | Pin Insert Jig | Item Code : 250-017-169 Item Name : FD30-FSJ | |
| 9 | 1 | 1 | - | - | Spanner Wrench | Item Code : 250-017-168 Item Name : FD30-FSP | |
| 10 | - | - | - | - | Top Bracket | Item Code : 250-017-165 Item Name : FD30-FSK • Material : Steel • Finish : Chromate | |

| No. | Qty | | | | Part Name | Dimensions | Description |
|-----|-----|---|---|---|--|---|-------------|
| | a | b | c | d | | | |
| 11 | 1 | - | - | - | Pivot Bracket (Upper) | Item Code : 250-017-141 Item Name : FD30-FSKU • Material : Steel • Finish : Chromate | |
| 12 | 1 | 1 | - | - | Pivot Bracket (Bottom) | Item Code : 250-017-170 Item Name : FD30-FPU • Material : Steel • Finish : Chromate | |
| 13 | - | 1 | - | - | Fixing Plate | Item Code : 250-017-144 Item Name : FD30-FKK • Material : Steel • Finish : Chromate | |
| 14 | - | - | 2 | 2 | Upper Stopper | Item Code : 250-017-143 Item Name : FD30-FTST-DB • Material : Steel / Polyacetal • Finish : Chromate / Brown | |
| 15 | - | - | - | 2 | Bottom Stopper | Item Code : 250-019-297 Item Name : FD30-FTST-GR • Material : Steel / Polyacetal • Finish : Chromate / Grey | |
| 16 | - | - | 2 | 2 | Centre Hinge (Surface Mount, Angle Adjustable) | Item Code : 250-017-166 Item Name : FD30-FBKS • Material : Steel / Polyacetal • Finish : Chromate / Brown | |
| 17 | 3 | 3 | - | - | Centre Hinge (Recessed Mount, Angle Adjustable, W/Detent Stop) | Item Code : 250-017-146 Item Name : FD30-CHM • Material : Steel • Finish : Chromate / Black | |
| 18 | - | - | - | 3 | Centre Hinge (Door Edge, Angle Adjustable, W/Detent Stop) | Item Code : 250-019-899 Item Name : FD30-CHM-WT • Material : Steel • Finish : Chromate / White | |
| 19 | - | - | - | 3 | Centre Hinge (Surface Mount, Angle Adjustable) | Item Code : 250-017-147 Item Name : FD30-CHH • Material : Steel • Finish : Steel / Black | |
| 20 | - | - | - | 3 | Centre Hinge (Recessed Mount, Angle Adjustable, W/Detent Stop) | Item Code : 250-019-900 Item Name : FD30-CHH-WT • Material : Steel • Finish : White | |
| 21 | - | - | - | 3 | Centre Hinge (Door Edge, Angle Adjustable, W/Detent Stop) | Item Code : 250-017-167 Item Name : FD30-CHK • Material : Zinc Alloy • Finish : Dark Brown | |
| 22 | - | - | - | 3 | Centre Hinge (Surface Mount, Angle Adjustable) | Item Code : 250-019-901 Item Name : FD30-CHK-WT • Material : Zinc Alloy • Finish : White | |

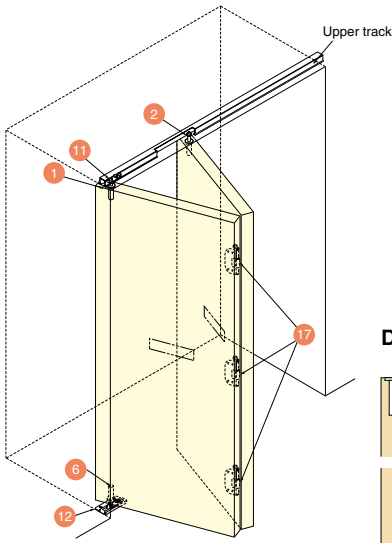
| Upper Track Necessary Parts | | | | | Bottom Guide Track Necessary Parts for c d | | | | | | |
|-----------------------------|------------------|---------|-----------------|------------|--|-----|----------------------|---------|------------------|------------|--|
| No. | Installation | Length | Item Code | Dimensions | Description | No. | Installation | Length | Item Code | Dimensions | Description |
| 23 | Surface Mount | 910 mm | 250-017-962 | | <ul style="list-style-type: none"> Material Aluminium Finish Anodized Silver | 31 | Floor Surface Mount | 910 mm | 250-018-080 | | <ul style="list-style-type: none"> Material Aluminium Finish Anodized Silver |
| | | | FD30-TRM910SIL | | | | | | FD30-FBRM910SIL | | |
| | | | 250-017-131 | | | | | | 250-017-160 | | |
| | | | FD30-TRM1820SIL | | | | | | FD30-FBRM1820SIL | | |
| 24 | Surface Mount | 1820 mm | 250-017-966 | | <ul style="list-style-type: none"> Material Aluminium Finish Anodized Silver | 32 | Floor Surface Mount | 1820 mm | 250-018-082 | | <ul style="list-style-type: none"> Material Aluminium Finish Anodized Silver |
| | | | FD30-TRM2730SIL | | | | | | FD30-FBRM2730SIL | | |
| 25 | Surface Mount | 2730 mm | 250-017-970 | | <ul style="list-style-type: none"> Material Aluminium Finish Anodized Silver | 33 | Floor Surface Mount | 2730 mm | 250-018-084 | | <ul style="list-style-type: none"> Material Aluminium Finish Anodized Silver |
| FD30-TRM3640SIL | FD30-FBRM3640SIL | | | | | | | | | | |
| 26 | Surface Mount | 3640 mm | 250-017-964 | | <ul style="list-style-type: none"> Material Aluminium Finish Anodized Silver | 34 | Floor Recessed Mount | 910 mm | 250-018-074 | | <ul style="list-style-type: none"> Material Aluminium Finish Anodized Silver |
| FD30-TRH910SIL | FD30-FBRH910SIL | | | | | | | | | | |
| 250-017-133 | 250-017-158 | | | | | | | | | | |
| FD30-TRH1820SIL | FD30-FBRH1820SIL | | | | | | | | | | |
| 27 | Recessed Mount | 1820 mm | 250-017-968 | | <ul style="list-style-type: none"> Material Aluminium Finish Anodized Silver | 35 | Floor Recessed Mount | 1820 mm | 250-018-076 | | <ul style="list-style-type: none"> Material Aluminium Finish Anodized Silver |
| | | | FD30-TRH2730SIL | | | | | | FD30-FBRH2730SIL | | |
| 28 | Recessed Mount | 2730 mm | 250-017-972 | | <ul style="list-style-type: none"> Material Aluminium Finish Anodized Silver | 36 | Floor Recessed Mount | 2730 mm | 205-018-078 | | <ul style="list-style-type: none"> Material Aluminium Finish Anodized Silver |
| FD30-TRH3640SIL | FD30-FBRH3640SIL | | | | | | | | | | |
| 29 | Recessed Mount | 3640 mm | 250-017-964 | | <ul style="list-style-type: none"> Material Aluminium Finish Anodized Silver | 37 | Floor Recessed Mount | 3640 mm | 205-018-078 | | <ul style="list-style-type: none"> Material Aluminium Finish Anodized Silver |
| FD30-TRH3640SIL | FD30-FBRH3640SIL | | | | | | | | | | |

| Cover Cap Necessary Parts for b c | | | | | |
|---|-----------------|----------------------------|--------------|------------------------|--|
| No. | Item Code | Item Name | Installation | Description | |
| 38 | 250-018-785 | Cover Cap for Upper Roller | | End Cap (For Roller 3) | <ul style="list-style-type: none"> Material Polypropylene Finish White |
| | FD30-WRH-CP-WT | | | | <ul style="list-style-type: none"> Material Polypropylene Finish Light Brown |
| 250-017-138 | FD30-WRH-CP-LBR | | | | <ul style="list-style-type: none"> Material Polypropylene Finish Dark Brown |
| 39 | 250-018-786 | FD30-WRH-CP-DB | | | |

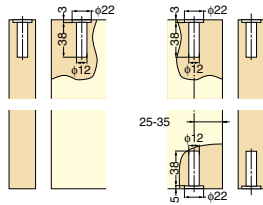
| Centre Hinge Necessary Parts | | | | | |
|------------------------------|-------------|--------------|--------------------------|--------|-----------|
| No. | Item Code | Installation | Angle Adjustment | Detent | |
| 17 | 250-017-146 | | Surface Mount | | 37° Angle |
| | FD30-CHM | | | | |
| 18 | 250-019-899 | | Recessed Mount | | 50° Angle |
| | FD30-CHM-WT | | | | |
| 19 | 250-017-147 | | Door Edge Recessed Mount | | 47° Angle |
| | FD30-CHH | | | | |
| 20 | 250-019-900 | | Door Edge Recessed Mount | | 47° Angle |
| | FD30-CHH-WT | | | | |
| 21 | 250-017-167 | | Door Edge Recessed Mount | | 47° Angle |
| | FD30-CHK | | | | |
| 22 | 250-019-901 | | Door Edge Recessed Mount | | 47° Angle |
| | FD30-CHK-WT | | | | |

| Optional Parts | | | | | |
|----------------|-------------|--------------|--|-------------|--|
| No. | Item Code | Installation | Description | Description | |
| 42 | 250-017-171 | | Guide Pin (Magnetic) | | <ul style="list-style-type: none"> Material Polycarbonate Neodymium Finish Dark Brown |
| | FD30-FMF | | | | |
| 43 | 250-017-173 | | Guide Pin (Pin) | | <ul style="list-style-type: none"> Material Polyamide / Steel Finish White / Chromate |
| | FD30-FTF | | | | |
| 44 | 250-017-172 | | Latch Unit (To be Used When Ordering c , d) | | <ul style="list-style-type: none"> Material Polyacetal Finish Dark Brown |
| | FD30-FHL | | | | |

a Pivoted Folding Door - Surface Mount Hinge



Door Preparation



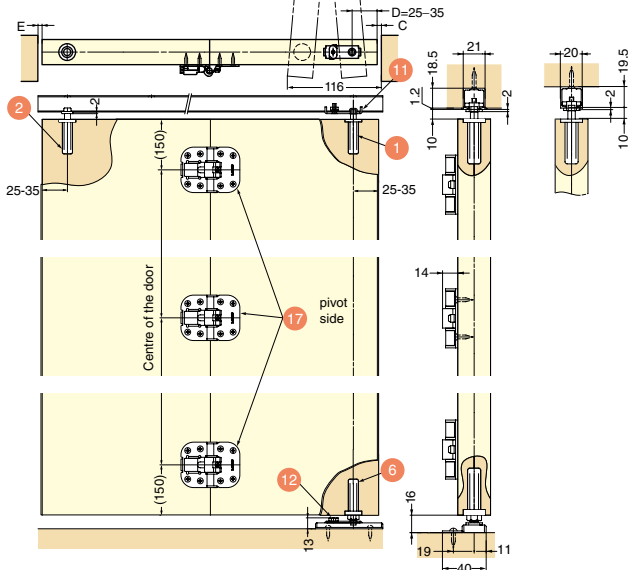
Gap Required - Door and Frame

| Door Thickness | Gap C Min. | Gap E Min. in Case D=30 | | | |
|----------------|------------|-------------------------|-----------|-----------|-----------|
| | | Width 300 | Width 350 | Width 400 | Width 450 |
| 30 | 4.0 | 3.5 | 3.0 | 2.7 | 2.4 |
| 35 | 5.2 | 4.3 | 3.7 | 3.3 | 3.0 |
| 40 | 6.5 | 5.2 | 4.5 | 4.0 | 3.6 |

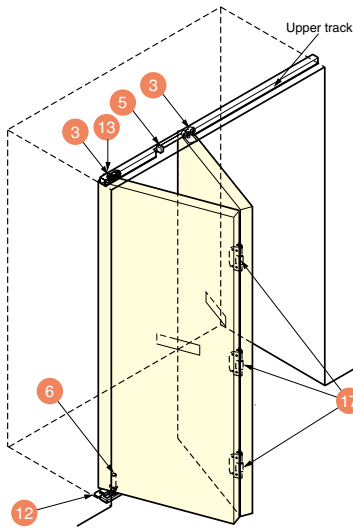
Features

Centre Hinge has angle adjustment, detent stop feature and is mounted on surface at back side of door for easy installation.

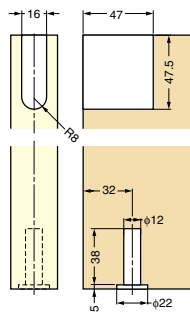
Installation Example (In case of 40 mm thick, 450 mm wide door)



b Pivoted Folding Door (With Roller) - Surface Mount Hinge



Door Preparation



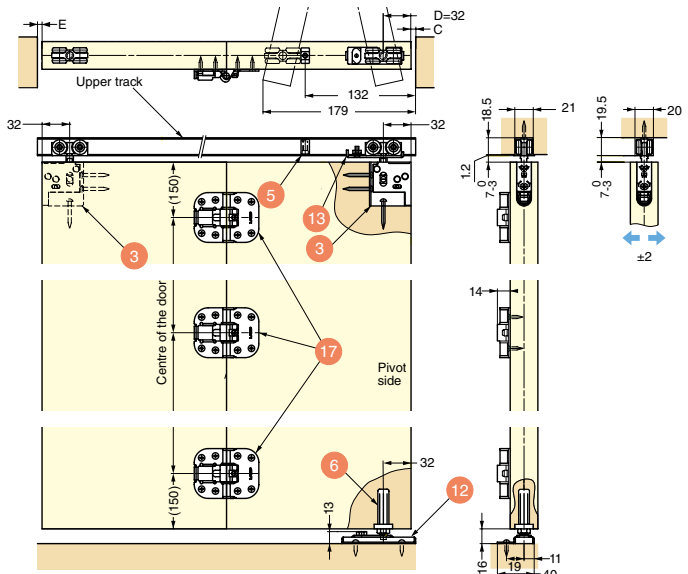
Gap Required - Door and Frame

| Door Thickness | Gap C Min. | Gap E Min. in Case D=30 | | | |
|----------------|------------|-------------------------|-----------|-----------|-----------|
| | | Width 300 | Width 350 | Width 400 | Width 450 |
| 30 | 4.0 | 3.5 | 3.0 | 2.7 | 2.4 |
| 35 | 5.2 | 4.3 | 3.7 | 3.3 | 3.0 |
| 40 | 6.5 | 5.2 | 4.5 | 4.0 | 3.6 |

Features

Centre Hinge has angle adjustment, detent stop feature and is mounted on surface at back side of door for easy installation.

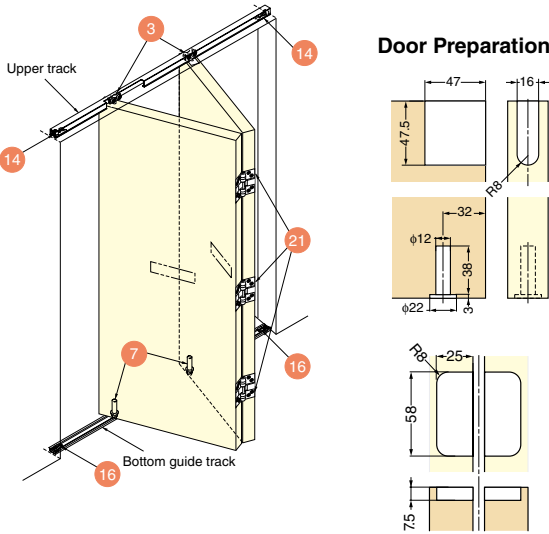
Installation Example (In case of 40 mm thick, 450 mm wide door)



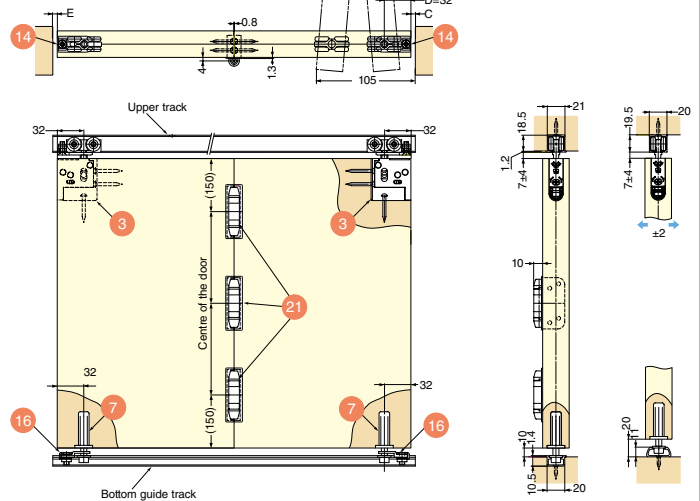
c Slidable Folding Door – Door Edge Recessed Mount Hinge

Features

- Centre Hinge has angle adjustment, detent stop feature and is mounted in recess at door edge which is invisible from both side.
- Detent centre hinge allows the folding door to slide freely for easy access and to maximize the space.



**Installation Example
(In case of 40 mm thick,
450 mm wide door)**



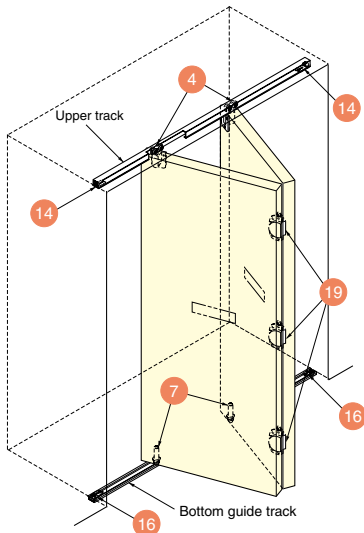
Gap Required - Door and Frame

| Door Thickness | Gap C Min. | Gap E Min. in Case D=30 | | | |
|----------------|------------|-------------------------|-----------|-----------|-----------|
| | | Width 300 | Width 350 | Width 400 | Width 450 |
| 30 | 4.0 | 3.5 | 3.0 | 2.7 | 2.4 |
| 35 | 5.2 | 4.3 | 3.7 | 3.3 | 3.0 |
| 40 | 6.5 | 5.2 | 4.5 | 4.0 | 3.6 |

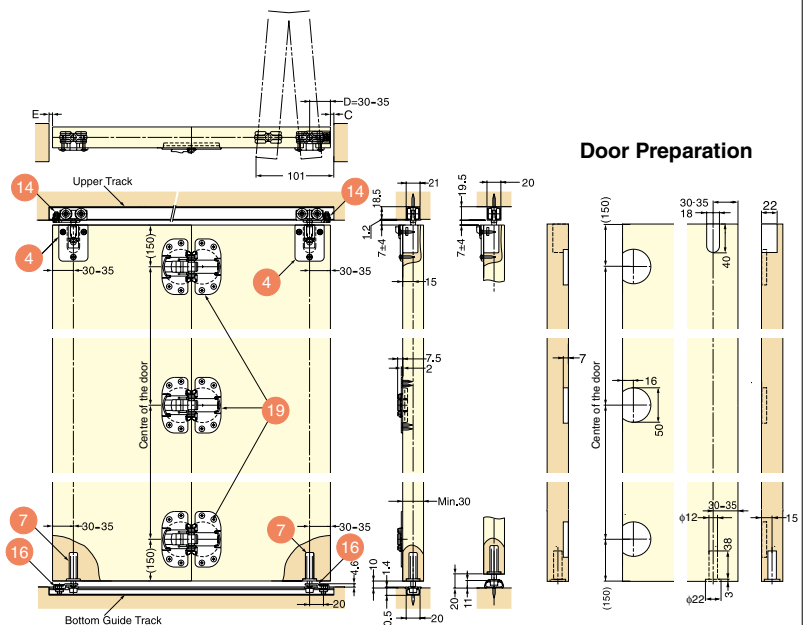
d Slidable Folding Door – Back Side Recessed Mount Hinge

Features

- Centre Hinge has angle adjustment, detent stop feature and is mounted in recess at back side of door.
- Detent centre hinge allows the folding door to slide freely for easy access and to maximize the space.



**Installation Example
(In case of 40 mm thick, 450 mm wide door)**



Gap Required - Door and Frame

| Door Thickness | Gap C Min. | Gap E Min. in Case D=30 | | | |
|----------------|------------|-------------------------|-----------|-----------|-----------|
| | | Width 300 | Width 350 | Width 400 | Width 450 |
| 30 | 3.6 | 2.4 | 2.1 | 1.9 | 1.7 |
| 35 | 5.8 | 3.0 | 2.6 | 2.3 | 2.1 |
| 40 | 8.5 | 3.5 | 3.1 | 2.7 | 2.5 |