

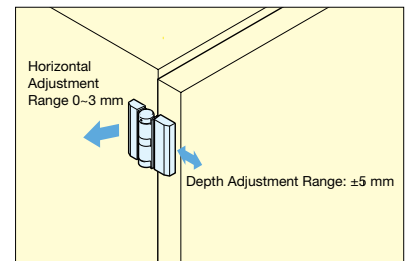
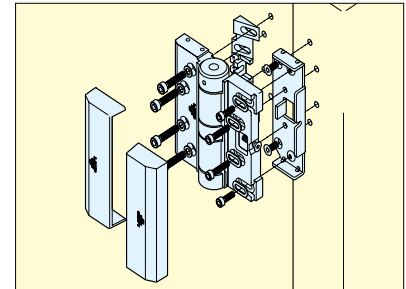
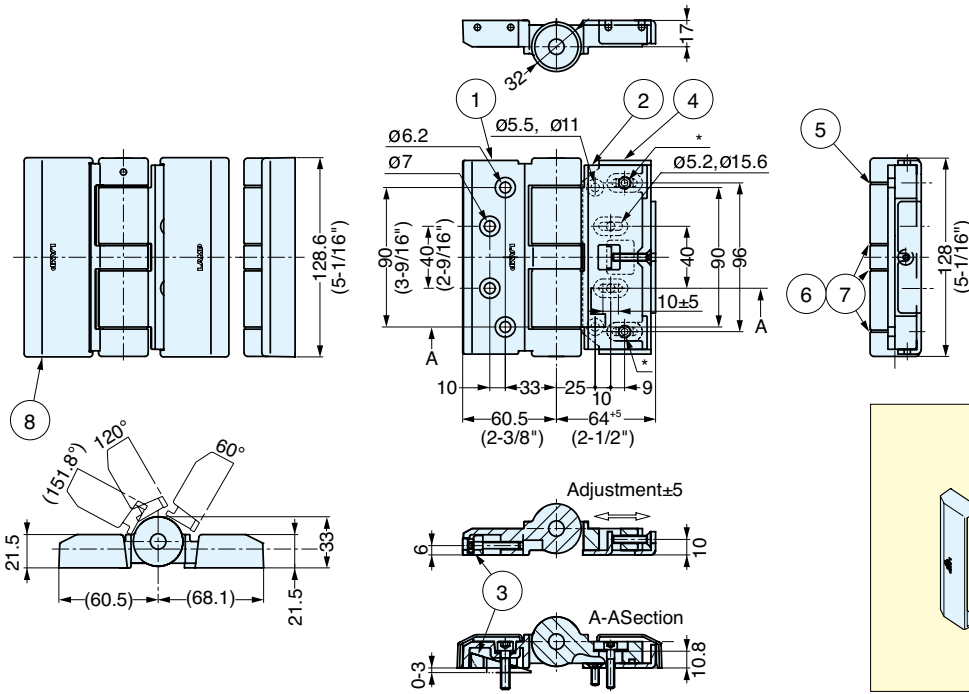
# DETENT HINGE



# HG-FH128



- Ideal for doors which need to be compressed.
- Horizontally adjustable for better compression.
- Holds doors at 60° and 120°  
Max. Open: 152°
- Plastic washer provides smooth movement.
- Recommended door specification:  
Width: 600~900 mm (24~36")  
Height: 900~1200 mm (36~48")  
Weight: maximum 40 kg (88 lbs) for 2 hinges
- Retaining Force: 102 kgf-cm (88.5 lbs-in)



Partial

Wide



No.	Part Name	Material	Finish
①	Body A	Zinc Alloy	Satin Nickel
②	Body B		Nickel
③	Bracket A	304 Stainless Steel	Polished
④	Bracket B		
⑥	Washer	PFTE, Polyacetal, Polyacetal	-
⑦			
⑧	Cover	AES Plastic	Silver

Item No.	Door Weight (kg / 2 pcs)	Detent Torque (kgf-cm)	Weight (g)	Box (pcs)	Carton (ps)
HG-FH128	Max. 40 (88 lbs)	102 (88.5 lbs-in)	1,500	2	10