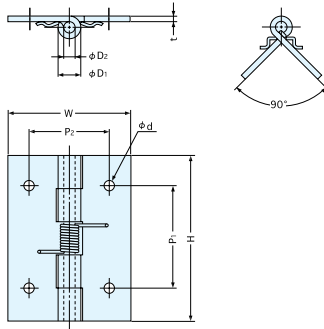


BUTT HINGE (W/SPRING)



HG-SH



- Spring loaded to keep door closed.

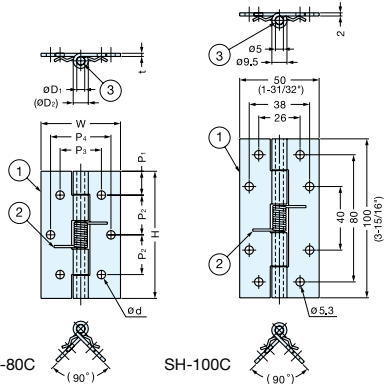
Material	Finish
304 Stainless Steel	Plain

Item No.	H	W	P ₁	P ₂	D ₁	D ₂	d	t	Torque (kgf-cm)	Load Capacity (kgf/2pcs)	Weight (g)	Box (pcs)	Carton (pcs)
HG-SH20C	20 (25/32")	14 (35/64")	-	-	2.2	1	-	0.5	0.99 (0.859 lbs-in)	1 (2.20 lbs)	5	800	3200
HG-SH25C	25 (63/64")	32 (1-17/64")	14	20	5.8	-	-	1.2	0.66 (0.523 lbs-in)	3 (6.61 lbs)	10	300	1200
HG-SH38C	38 (1-1/2")	32 (1-17/64")	26	-	6.5	3	3.2	1.5	1.50 (1.302 lbs-in)	6 (13.2 lbs)	20	200	800
HG-SH51C	51 (2-1/64")	38 (1-1/2")	32	25	-	-	-	-	1.38 (1.198 lbs-in)	7 (15.4 lbs)	35	130	520

BUTT HINGE (W/SPRING)



SH



- Spring loaded to keep door closed.

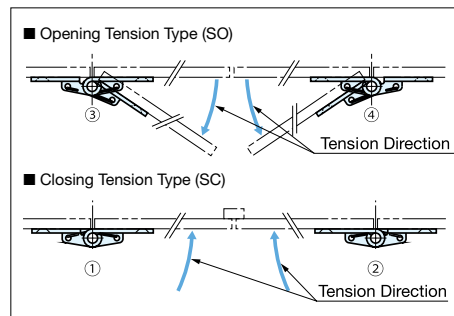
No.	Part Name	Material	Finish
①	Body	304 Stainless Steel	Polished
②	Spring		-
③	Hinge Pin		-

Item No.	H	W	t	P ₁	P ₂	P ₃	P ₄	D ₁	(D ₂)	d	Torque (kgf-cm)	Load Capacity (kgf/2pcs)	Weight (g)	Box (pcs)	Carton (pcs)
SH-60C	60 (2-23/64")	40 (1-37/64")	1.5	10	20	26	26	5	8.5	4.3	2.83 (2.456 lbs-in)	9 (19.8 lbs)	44	120	1200
SH-80C	80 (3-5/32")	50 (1-31/32")	2.0	15	25	38	38	-	9.5	5.3	3.34 (2.899 lbs-in)	16 (35.3 lbs)	86	80	800
SH-100C	-	-	-	-	-	-	-	-	-	-	9.96 (8.645 lbs-in)	20 (44.1 lbs)	110	100	1000

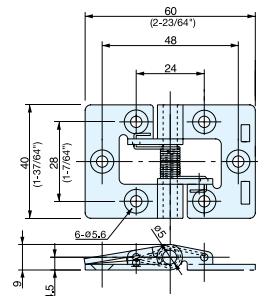
BUTT HINGE (W/SPRING)



HG-BF3



- Spring loaded to keep down closed or open.
- 304 stainless steel spring loaded hinges.
- Spring loaded to open or closed versions available.



Item No.		Tension Direction	Load Capacity (kgf/2pcs)	Weight (g)	Box (pcs)	Carton (pcs)
Left	Right	Opening Tension	7 (15.4 lbs)	41	20	120
HG-BF3-2L-SO	HG-BF3-2R-SO	Closing Tension				
HG-BF3-2L-SC	HG-BF3-2R-SC	Closing Tension				

Material	Finish
304 Stainless Steel	Plain