

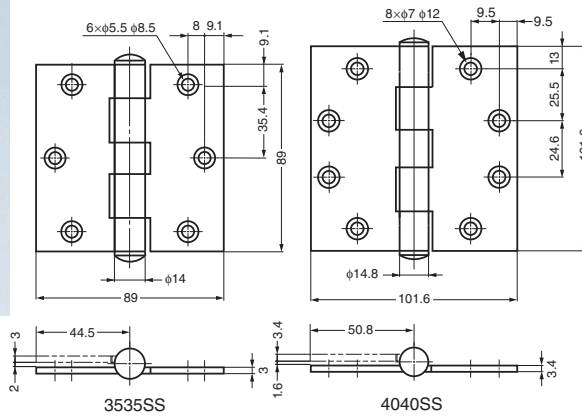
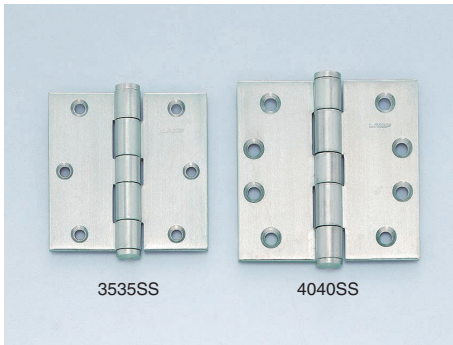
BUTT HINGE



3535SS, 4040SS

Parts Included

- 3535SS : Countersunk wood head screw 4.5x25
- 4040SS : Countersunk wood head screw 5.5x32



Item Code	Item Name	Material	Finish	Door Weight	Weight	Box	Carton
170-920-181	3535SS	Stainless Steel (SUS304)	Satin	Max. 25 kg/2 pcs	270 g	2 pcs	100 pcs
170-920-182	4040SS	Stainless Steel (SUS304)	Satin	Max. 40 kg/2 pcs	390 g	2 pcs	50 pcs

BUTT HINGE (W/ WASHER)



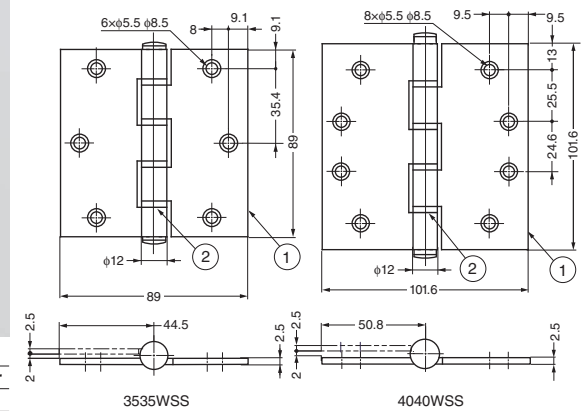
3535WSS, 4040WSS

Features

Washer prevents metal-to-metal contact.

Parts Included

- Countersunk head tapping screw 4x25 (SUS)



No.	Part Name	Material	Finish/Colour
①	Body	Stainless Steel (SUS304)	Satin
②	Washer	Polyamide (PA)	White

Item Code	Item Name	Door Weight	Weight	Box
170-029-834	3535WSS	Max. 25 kg/2 pcs	206 g	2 pcs
170-029-835	4040WSS	Max. 30 kg/2 pcs	264 g	2 pcs

BUTT HINGE (W/ BALL BEARING)



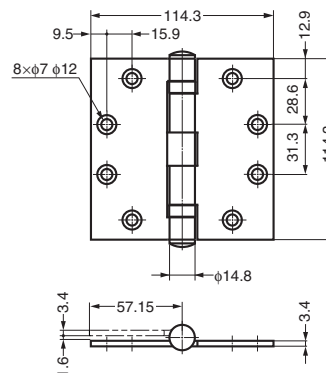
4545BSS

Features

Ball bearing provides smooth movement.

Parts Included

- Countersunk head tapping screw 5.5x32



Item Code	Item Name	Material	Finish	Door Weight	Weight	Box	Carton
170-920-184	4545BSS	Stainless Steel (SUS304)	Satin	Max. 45 kg/2 pcs	475 g	2 pcs	50 pcs