

PUSH KNOB LATCH



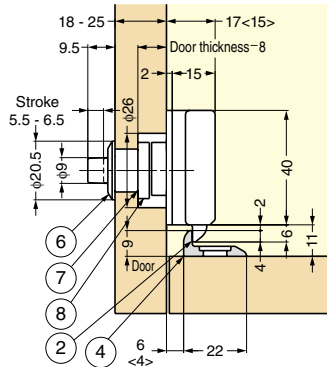
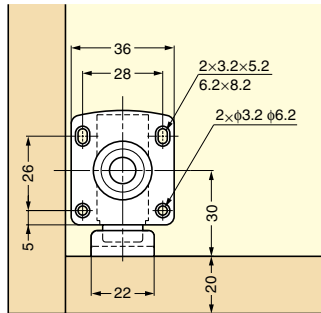
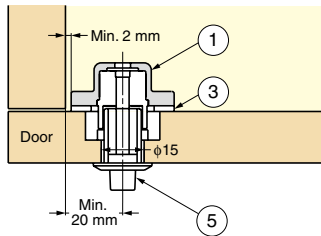
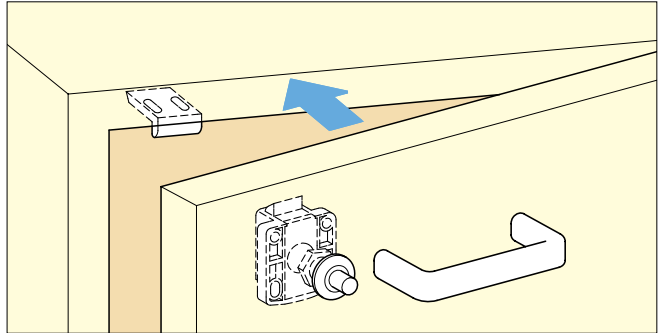
SL-B211, SL-B251

Features

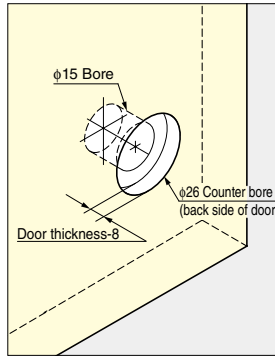
- Combination of push button and slide latch. Used in combination with a handle of your choice (sold separately)
- SL-B211 can be used for doors with thickness between 18-21mm. SL-B251 can be used for doors from 22-25mm thick. Adjust the spacer depending on door thickness.

Parts Included

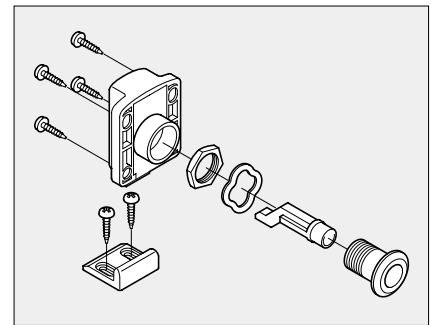
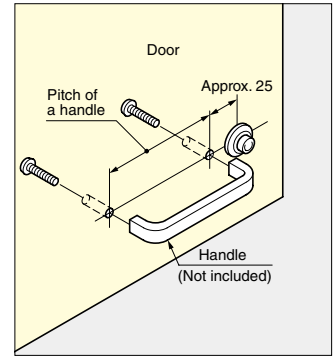
Pan head tapping screw 3x14



Bore Dimensions (Door)



Handle Installation Example



* < > = Without spacer.

No.	Part Name	Material	Finish/Colour
①	Body	Polyamide (PA)	Ivory, Brown
②	Latch	Polyamide (PA)	Ivory, Brown
③	Spacer	Polyamide (PA)	Ivory, Brown
④	Counter Plate	Polyacetal (POM)	Ivory, Brown
⑤	Push Button	Polyacetal (POM)	Ivory, Brown
⑥	Base	Polyamide (PA)	Ivory, Brown
⑦	Washer (φ14)	Spring Steel	-
⑧	Nut (M14)	Steel	Yellow Zinc Chromate

Item Code	Item Name	Colour	Door Thickness	Spacer	Retaining Force N	Retaining Force kgf	Weight	Box	Carton
140-060-010	SL-B211-I	Ivory	18, 19	Necessary	156.8 N	16 kgf	23.5 g	20 pcs	200 pcs
			20, 21	Unnecessary					
140-060-011	SL-B211-BR	Brown	18, 19	Necessary	156.8 N	16 kgf	23.5 g	20 pcs	200 pcs
			20, 21	Unnecessary					
140-060-016	SL-B251-I	Ivory	22, 23	Necessary	156.8 N	16 kgf	23.5 g	20 pcs	200 pcs
			24, 25	Unnecessary					
140-060-017	SL-B251-BR	Brown	22, 23	Necessary	156.8 N	16 kgf	23.5 g	20 pcs	200 pcs
			24, 25	Unnecessary					