

PUSH KNOB LATCH

TEST METHOD 11

L=R

STAINLESS

TLP



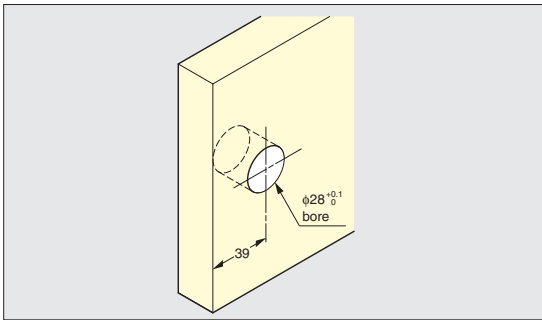
Push Knob Base



Latch Body · Counter Plate

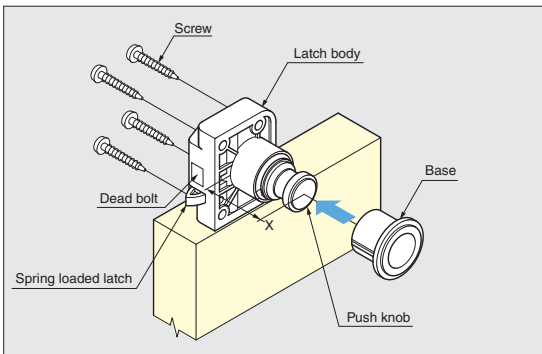


Bore Dimensions (Door)



Dimension above is for inset door.

Parts Structure



Push Knob-Base

Item Code	Item Name	Finish	Weight	Box	Carton
140-060-113	TLP-SG	Satin Gold	77 g	25 pcs	200 pcs
140-064-431	TLP-WB	Satin Nickel	77 g	25 pcs	200 pcs
140-064-433	TLP-G	Gold	77 g	25 pcs	200 pcs
140-064-432	TLP-CR	Chrome	77 g	25 pcs	200 pcs

Latch Body-Counter Plate

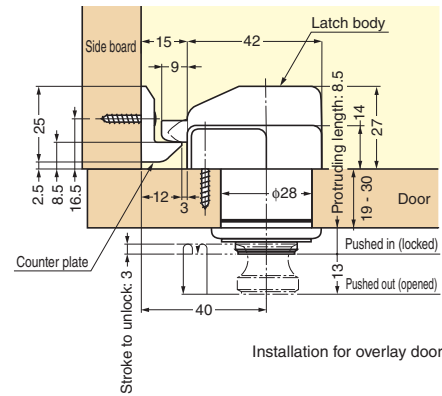
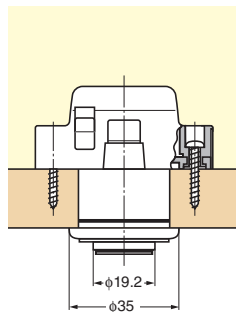
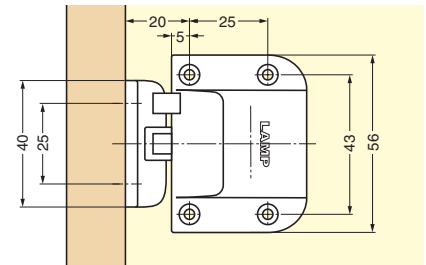
Item Code	Item Name	Colour	Retaining Force	Weight	Box	Carton
140-064-430	TLP-LBM W	White	196 N / 20 kgf	47 g	10 pcs	100 pcs

Features

- When the knob is pushed in, the product becomes flush with its surroundings for a safe and smart design.
- The latch is spring powered and automatically springs out, holding the door in place easily without pushing in the latch.
- Can be adjusted to different door thicknesses (19-30mm) by adjusting the screws before installing the latch body.
- Available for both overlay and inset doors.
- Also available is the 3 point TLP lock system.

Parts Included

- Screw to install latch body: Pan-head tapping screw 3x20 (SUS)
- Screw to install counter plate: Pan-head tapping screw 3x16 (SUS)
- Screw to adjust door thickness: M4x24, M4x30



Installation for overlay door

Part Name	Material
Push Knob	Free-cutting Brass
Base	Zinc Alloy (ZDC)
Latch Body	Polyamide (PA)

X Dimension

Screw Length	Door Thickness	X
24	19	40.5
	20	41.5
	21	42.5
	22	43.5
	23	44.5
30	24	45.5
	25	46.5
	26	47.5
	27	48.5
	28	49.5
	29	50.5
	30	51.5