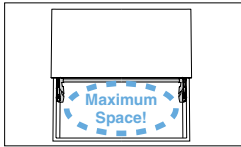


SWING LIFT-UP STAY SLU-ELAN



INSTRUCTION

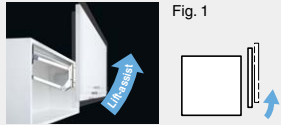
VIDEO



[3 Functions in 1 Stay]

● Lift-assist

Can open the door with a slight force.



● Free stop

Door can be stopped in any position.
※The operating range varies slightly depending on the door size and weight.

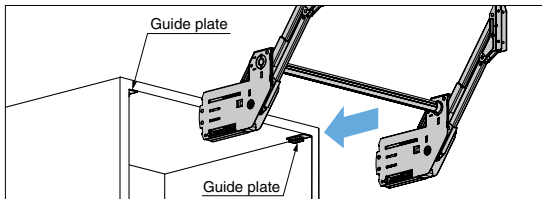


● Soft-close

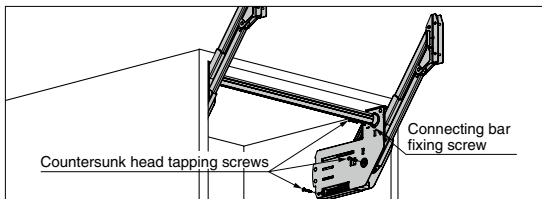
Door closes slowly even if you release your hands from the door.
※The operating range varies slightly depending on the door size and weight.



[Easy Installation] Fig.4 ※1 connecting bar (sold separately) is necessary for 1 set of stay.



Install on left and right sides of top board bottom after aligning the guide plate with internal surface and edge of cabinet. Installation position is determined by inserting the main body with the main body and connecting bar temporarily assembled.



Fix the main body to cabinet with countersunk head tapping screws (included). Tighten connecting bar fixing screws (left and right sides).

Refer to 1 : P.207, 2 : P.269

Opening Direction	Description	Item Name	Door Width	Door Height	Door Weight※
Lift-Up	Lift-assist Free stop Soft-close	SLU-ELAN-S4	Max. 1800	390~500	5~6.5 kg
		SLU-ELAN-L4			6.5~8 kg
		SLU-ELAN-M4			8~9.5 kg
		SLU-ELAN-H4			9.5~11 kg

※Door weight includes handle.

- Patented Lapcon mechanism controls door opening and closing softly and smoothly.
 - Door can be opened with a slight force (see Fig. 1).
 - Door can be stopped in any position (see Fig. 2).
 - Door closes slowly even if you release your hands from the door (see Fig. 3).
- Door can be opened and closed smoothly regardless of handle position.
- Installed on the bottom of cabinet top board for maximum space inside the cabinet, not even affecting the shelf mounting.
- Installation position of the main body can be easily determined (see Fig.4).
- Mounting plate can be quickly attached to the main body (see Fig.5).

[Specifications]

- Operating temperature: 0°C~40°C

[Remarks]

- Be sure to read the "Cautions" 1.
- 1 connecting bar (sold separately) is necessary for 1 set of stay.
- Use in pairs.
- Never push down the arm of single stay before installation.
- Do not open the door further in fully opened position. And do not roughly.

[Parts Included]

- Mounting plate (2 pcs)
- Guide plate (2 pcs)
- Countersunk head tapping screw 3.5×38 (6 pcs) for main body
- Binding head tapping screw 3.5×15 (6 pcs) for mounting plate

[Sold Separately]

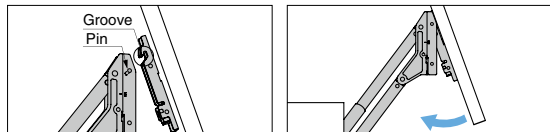
- Connecting bar ELB 2

Video Link



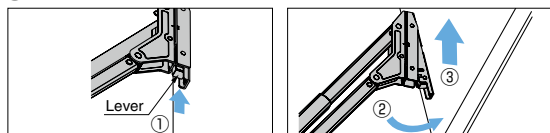
[Installation and Removal of Door] Fig. 5

● Installation of door

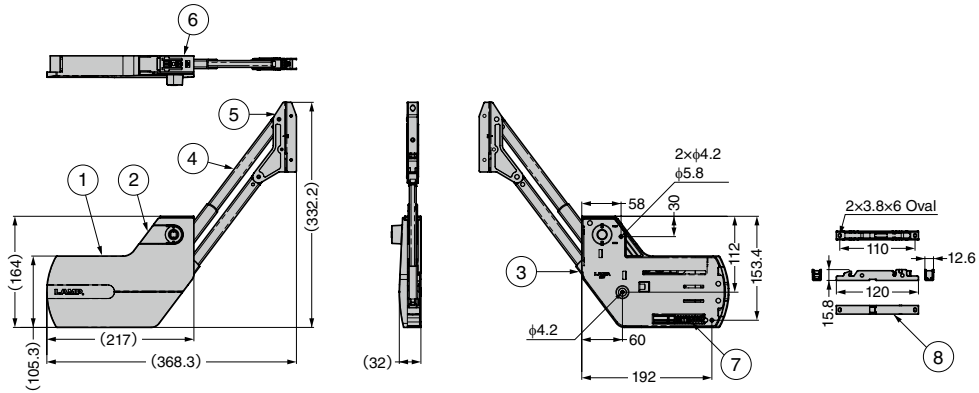


Hang the groove at the tip of mounting plate on the pin of main body, and then push the door along the arrow with a click feeling.

● Removal of door



Lift the door along 2 arrow while pushing the lever along 1 arrow, and then move the door along 3 arrow to detach.



No.	Part Name	Material	Finish/Colour
①	Body Cover	ABS	Light Grey
②	Side Cover		
③	Main Body	Steel (SECC)	-
④	Arm	Aluminium Alloy	Anodised
⑤	Mounting Plate Body	Steel (SPCC)	Nickel
⑥	Guide Plate	POM	Dark Grey
⑦	Damper	-	-
⑧	Mounting Plate	Steel (SPCC)	Nickel

LIFT ASSIST STAYS

SOFT CLOSING STAYS

TORQUE STAYS

HEAVY DUTY LOCKING STAYS

FOOT STAYS

LID STAYS

OTHER STAYS

TOP-OPENING

DOWNWARD-OPENING

UPWARD-OPENING

BOTTOM-OPENING

SWING DOOR

LIFT-UP

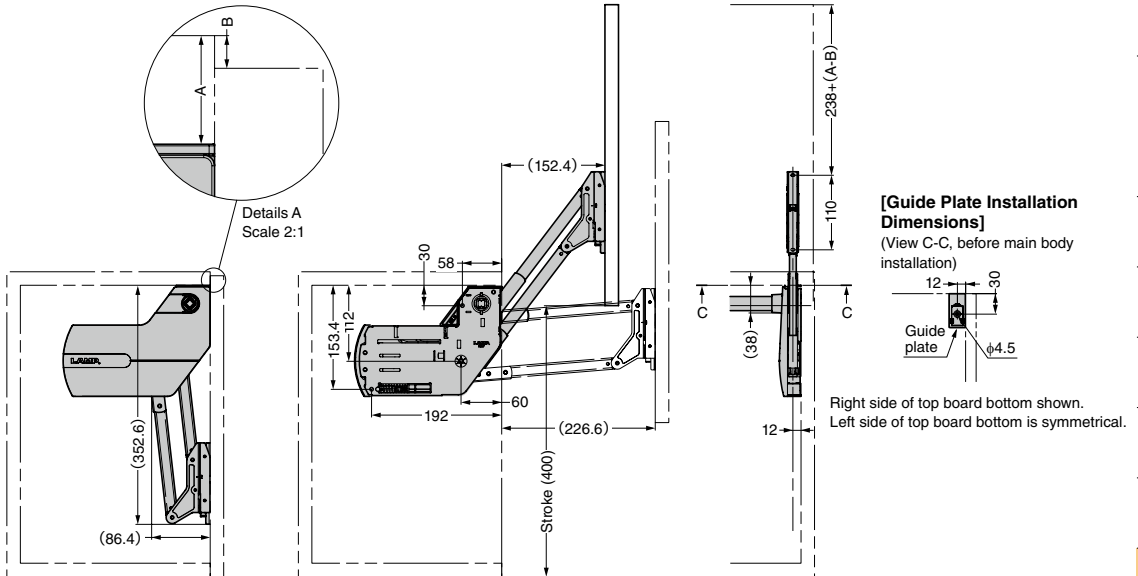
LIFT-DOWN

UP & OVER

BI-FOLDING

OVER THE TOP

[Bracket for installing to frame]



[Guide Plate Installation Dimensions]
(View C-C, before main body installation)

Right side of top board bottom shown.
Left side of top board bottom is symmetrical.

For vertical continuous doors, the gap from upper door should be 3mm or more (for door thickness 16-22mm).

[Main Body]

RHS	CAD	Item Code	Item Name	Material	Finish/Colour	Door Width	Door Height※ ¹	Door Weight kg※ ²	Weight (g)	Box (sets)	Carton (sets)
☑	☑	180-022-312	SLU-ELAN-S4	Steel/ ABS	Nickel/ Light Grey	Max. 1800	390-500	5-6.5	2491	5	-
☑	☑	180-022-313	SLU-ELAN-L4					6.5-8	2542	5	-
☑	☑	180-022-314	SLU-ELAN-M4					8-9.5	2581	1	5
☑	☑	180-022-315	SLU-ELAN-H4					9.5-11	2631	5	-

※¹ Cabinet inside height is Min. 360 mm. ※² Door weight includes handle.

[Connecting Bar] Sold Separately

RHS	CAD	Item Code	Item Name	Material	Finish	Cabinet Inside Width※ ³	Weight (g)	Box (pcs)	Carton (pcs)
☑	☑	180-022-319	ELB-480	Aluminium Alloy	Anodised	556-566	181	10	-
☑	☑	180-022-320	ELB-780			856-866	294	10	-
☑	☑	180-022-321	ELB-1080			1156-1166	407	10	-
☑	☑	180-022-322	ELB-1380			1456-1466	520	10	-
☑	-	180-026-323	ELB-1680			1756-1766	633	10	-

※³ For other cabinet inside widths, the bar can be cut on site (connecting bar length = cabinet inside width - 80mm).