

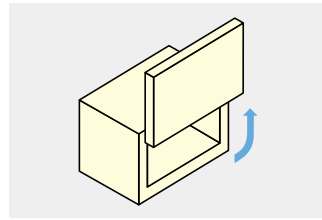
SWING LIFT-UP STAY



SLUN-N

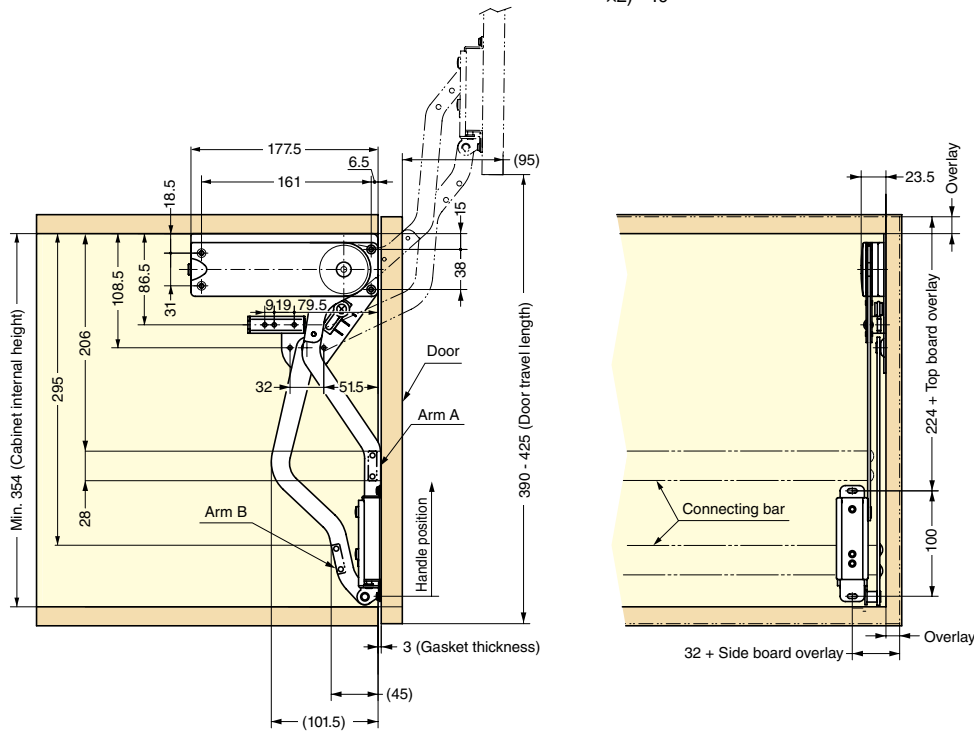
LID SUPPORTS

SWING LIFT-UP STAY



A combination of SLUN-N and SLD

Installation



Features

- For upward-opening flap doors.
- After pulling the flap forward 50 - 70mm, a spring will help gently lift the flap.
- Soft close feature slows down closing speed and prevents slamming.
- Placed at the top of interior of the cabinet, significantly reducing dead space and not getting in the way when installing shelves.
- Successfully passed 30,000 open/close cycles in a private test.

Remarks

- 1 connecting bar SLUB is necessary for 1 set of SLUN-N.
- Glass frame width should be more than 75 mm.

Parts Included

- Binding head tapping screw 3.5 × 15 for body
- Countersunk head tapping screw 3.5 × 20 for damper
- Truss head tapping screw 4.5 × 12 for connecting bar

Sold Separately

Connecting bar SLUB

- 1pc/set
- 2pcs/set for horizontal reinforcement.

If the side board thickness is over 15 mm, the connecting bar should be cut according to the below formula.

Arm A: Connecting bar length = Overall cabinet width - (Side board thickness × 2) - 35

Arm B: Connecting bar length = Overall cabinet width - (Side board thickness × 2) - 19

Body (1 set)

Item Code	Item Name	Material	Finish/Colour	Door Width	Door Height	Door Weight	Weight	Carton
180-020-832	SLUN-3N	ABS/Steel	Chrome/Grey	600 - 900	390 - 450	2.8 - 3.8 kg	2.0 kg	5 sets
180-020-833	SLUN-4N	ABS/Steel	Chrome/Grey	600 - 900	390 - 450	3.8 - 4.8 kg	2.0 kg	5 sets
180-020-834	SLUN-5N	ABS/Steel	Chrome/Grey	600 - 900	390 - 450	4.8 - 5.8 kg	2.1 kg	5 sets

Connecting Bar (Sold Separately)

Item Code	Item Name	Applicable Door	Mounting Position	Cabinet Width*	Length	Weight	Carton
180-120-287	SLUB-535	Wooden Door	Arm A	600	535	191 g	10 pcs
180-104-088	SLUB-551	Glass Frame Door	Arm B	600	551	196 g	10 pcs
180-120-288	SLUB-835	Wooden Door	Arm A	900	835	308 g	10 pcs
180-100-131	SLUB-851	Glass Frame Door	Arm B	900	851	312 g	10 pcs

*The side board thickness is 15 mm.