

# Flat suction cup (round)

<https://www.schmalz.com/10.01.01.00002>



## PFG 1.5 NBR-55 N002

Part no.: 10.01.01.00002

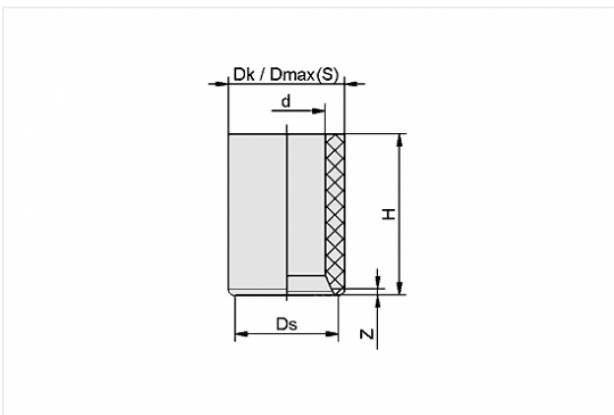
Homepage > Vacuum Technology for Automation > Vacuum Components > Vacuum Suction Cups > Flat Suction Cups (Round) > PFG 1.5 NBR-55 N002

### Flat suction cup (round) for smooth or slightly rough surfaces



Size: 1.5  
Suction cup material:  
Nitrile rubber NBR  
Material hardness: 55 °Sh

#### Design Data



Attribute	Value
-----------	-------

d	1.2 mm
---	--------

Dk	1.8 mm
----	--------

Dmax(S)	1.8 mm
---------	--------

Ds	1.5 mm
----	--------

H	2.5 mm
---	--------

Z	0.1 mm
---	--------

#### Technical Data

Attribute	Value
-----------	-------

Suction force	0.06 N
---------------	--------

Volume	0.00291 cm <sup>3</sup>
--------	-------------------------

#### Contact to Schmalz

J. Schmalz GmbH | Johannes-Schmalz-Straße, 72293 Glatten, Deutschland | +49 7443 2403-102 | [customercenter@schmalz.de](mailto:customercenter@schmalz.de)

Attribute	Value
Curve radius (min) (convex)	2 mm
Size	1.5
Nipple	N 002
Number of folds	0
Suction cup material	Nitrile rubber NBR
Material hardness	55 °Sh
Product family	PFG

## Accessories



**SA-NIP N002 M3-AG DN70**  
Part no. 10.01.01.00314  
Suction cup connection nipple  
Nipple: N 002  
Thread G1: M3-M  
Overall length: 6.5 mm  
Fitting length: 2 mm  
Nominal size: 0.70 mm  
Material: Aluminium