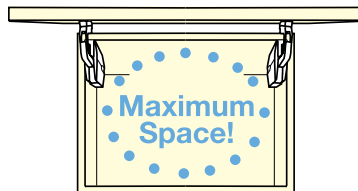
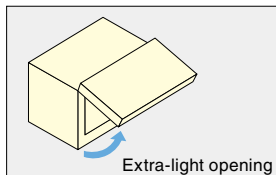
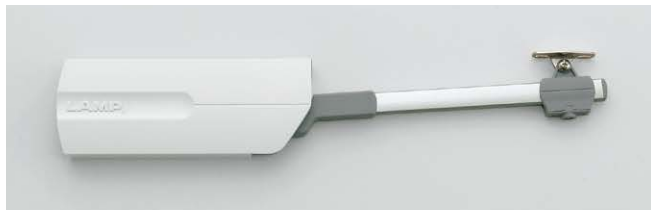




SLS-ELAN

## EASY LIFT-UP STAY



## 3 Functions in 1 Stay

## 1. Lift-assist



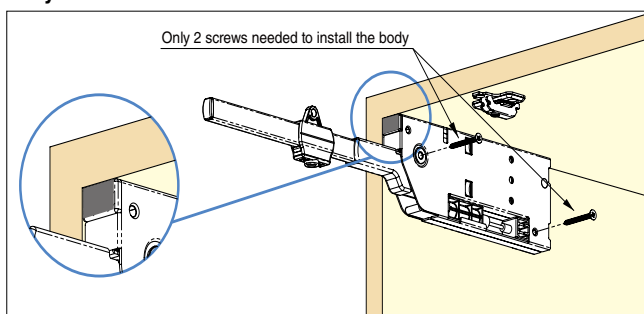
## 2. Free-stop



## 3. Soft-close



## Easy Installation



## Features

- For upward-opening flap doors.
- Equipped with:
  - Lift assist (to make flap doors feel lighter)
  - Free stop (holds position at any angle from 30° to fully open)
  - Soft-closing (slows down closing speed to prevent slamming between 0° and 30°)
- Recognized by LGA for 40,000 cycles
- Easy alignment: When doing an 19mm overlay install, simply press the body to the top of the interior of the cabinet and align the front plate flush with the cabinet.
- Easy installation: Can be installed on both sides from the front.
- Can be used singly or in pairs to accommodate a wide range of door sizes/weights
- Bracket (sold separately) available for aluminium frame flap doors.
- Please contact us directly for information about what types of hinges can be used with SLS-ELAN

## Parts Included

- Mounting plate for wooden door
- Countersunk head tapping screw 3.5x35 for main body (2 pcs)
- Binding head tapping screw 3.5x15 for mounting plate (2 pcs)
- Truss head screw M4x5 for mounting plate (1 pc)

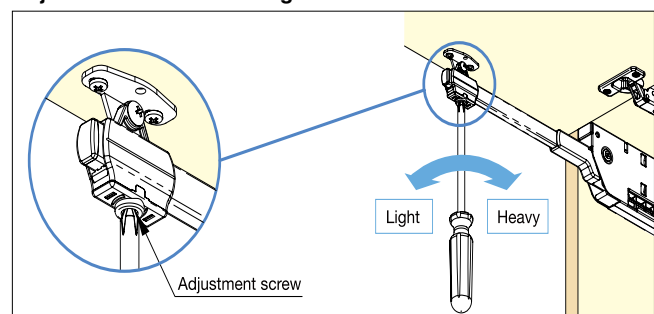
## Remarks

Hinge is not included.

## Sold Separately

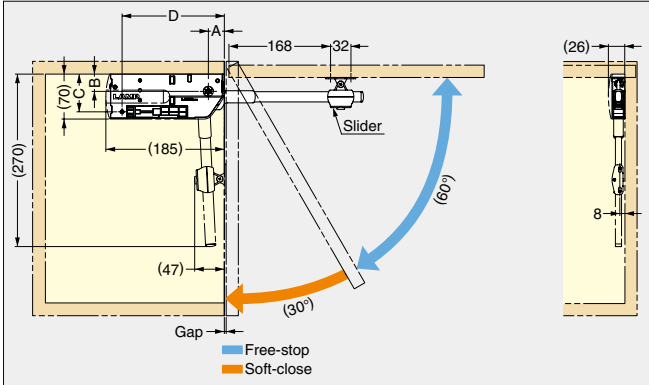
- Mounting plate SLS-ELAN-AZ for aluminium frame
- Possible to cover the original logo "LAMP" on the body with ELAN-LP (Item Code: 180-018-225) at surcharge.
- Slider (for maintenance)

## Adjustment of Lift-assisting Force

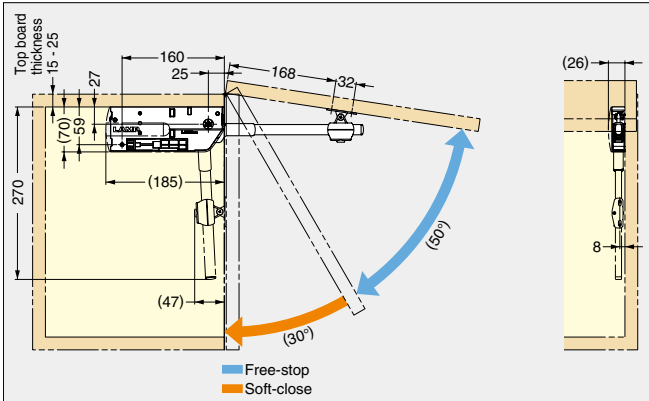


**Installation (Right Side)**

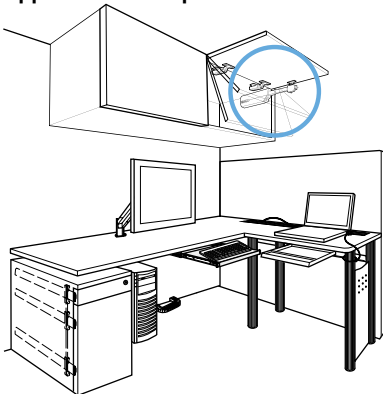
With concealed hinge



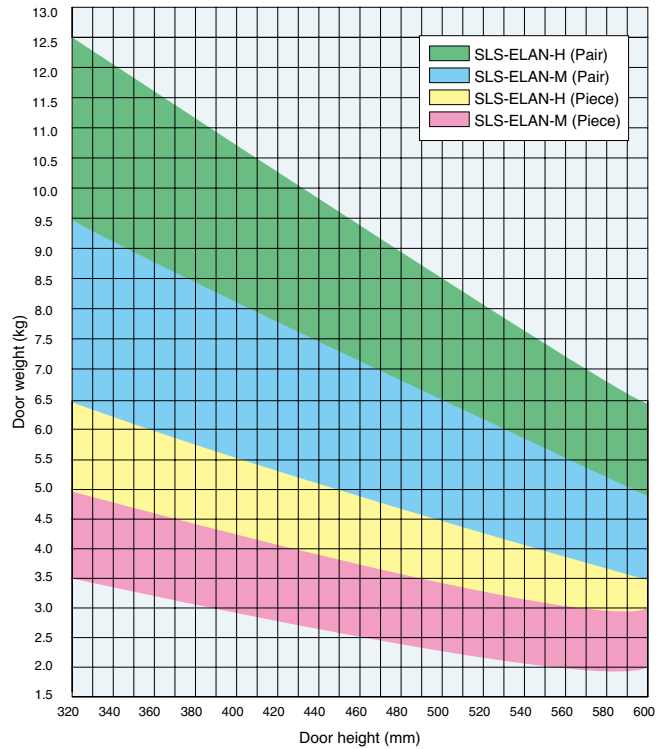
With single knuckle hinge



**Application Example**



**Door Size Ranges**



For heavier flap application, please contact your local dealer or sugatsune office.



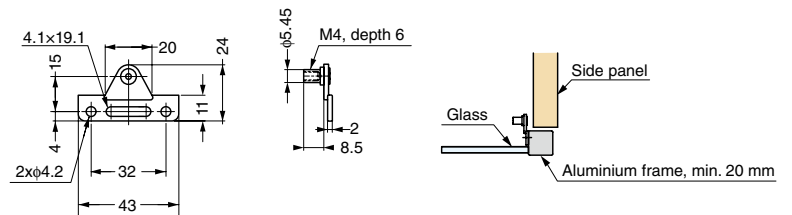
**Slider for Maintenance**

Item Code	Item Name	Weight	Carton
180-016-498	SLS-ELAN SLIDER	10 g	20 pcs

Item Code	Item Name	Type	Material	Finish/Colour	Model	Torque Moment/piece	Weight	Carton
180-015-491	SLS-ELAN-MR S	Right	Aluminium Alloy/ABS	Anodized/Light Grey	M	4.90 - 7.35 N·m (50 - 75 kgf·cm)	600 g	20 pcs
180-015-490	SLS-ELAN-ML S	Left	Aluminium Alloy/ABS	Anodized/Light Grey	M		600 g	20 pcs
180-015-493	SLS-ELAN-HR S	Right	Aluminium Alloy/ABS	Anodized/Light Grey	H	7.35 - 9.80 N·m (75 - 100 kgf·cm)	600 g	20 pcs
180-015-492	SLS-ELAN-HL S	Left	Aluminium Alloy/ABS	Anodized/Light Grey	H		600 g	20 pcs

**MOUNTING PLATE FOR ALUMINIUM FRAME DOOR**

**SLS-ELAN-AZ**



**Mounting Plate for Aluminium Frame Door (Sold Separately)**

Item Code	Item Name	Part Name	Weight	Box
180-017-647	SLS-ELAN-AZ	Body	11 g	320 pcs
180-018-555	SLS-ELAN-AZS	Screw Set	5 g	800 sets