

HEAVY DUTY SOFT-DOWN STAY

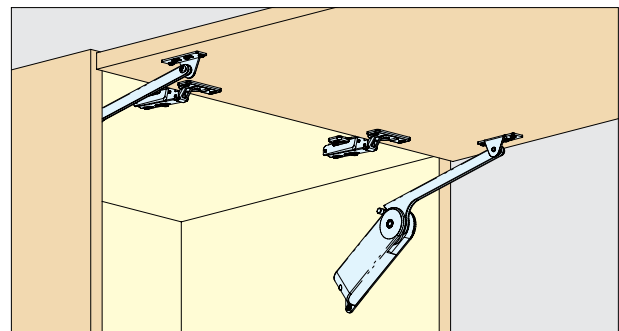
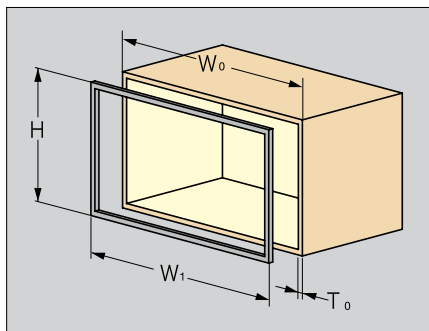
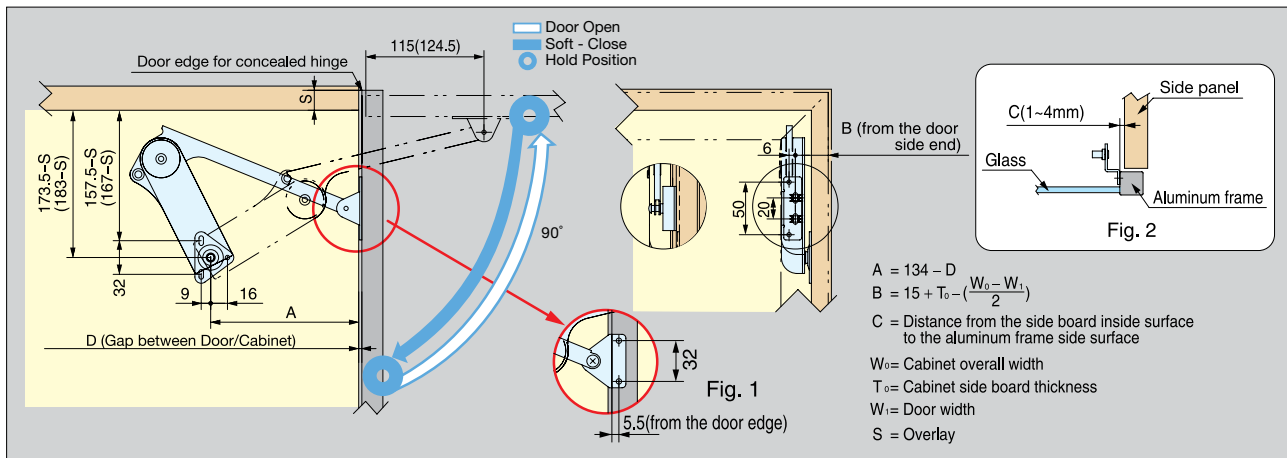


HDSN-30



- For UPWARD-OPENING FLAP DOOR with concealed hinges.
- Used in pairs.
- HDSN-30 is designed to hold door in closed and opened position.
- Handed: Specific left and right hand mounting.
- Torque Calculation:
 - Torque = Door Height x 1/2 x Door Weight
 - In case of opening angle 90°
 - K-Type (Light Duty) : 140~179kg·cm (122~155 lbs-in)/pair
 - M-Type (Medium Duty) : 180~219kg·cm (156~190 lbs-in)/pair
 - H-Type (Heavy Duty) : 220~259kg·cm (191~225 lbs-in)/pair
 - S-Type (Super Heavy Duty) : 260~300kg·cm (226~260 lbs-in)/pair

Dimensions are for 90° opening, solid wood or 45mm width aluminum frame door.
 For 80° opening, please use the figures in ().
 Fig.1 and Fig. 2 show the dimensions for 20 mm width aluminum frame door using mounting plate HDSN-AZ.
 Recommended concealed hinge is overlay/105° opening/free swing type.



Arm Mounting Plate (Sold separately, please specify when ordering.)

| Item No. | Applicable Door | Material | Finish/Color |
|----------|---------------------------------------------|----------|--------------|
| HDSN-SZ | 45mm width aluminum frame door or wood door | Steel | Nickel |
| HDSN-AZ | 20mm width aluminum frame door | Plastic | Light Grey |

| Item No. | | Type | Door torque | | Box (pcs) | Carton (pcs) |
|-----------|-----------|------|----------------------------------|----------------------------------|-----------|--------------|
| Left | Right | | Opening angle 90° | Opening angle 80° | | |
| HDSN-30KL | HDSN-30KR | K | 140~179 kg·cm (122~155 lbs-in) | 140~199 kg·cm (122~173 lbs-in) | 40 | 200 |
| HDSN-30ML | HDSN-30MR | M | 180~219 kg·cm (156~190 lbs-in) | 200~249 kg·cm (174~216 lbs-in) | | |
| HDSN-30HL | HDSN-30HR | H | 220~259 kg·cm (191~225 lbs-in) | 250~299 kg·cm (217~260 lbs-in) | | |
| HDSN-30SL | HDSN-30SR | S | 260~300 kg·cm (226~260 lbs-in) | 300~350 kg·cm (261~303 lbs-in) | | |