

# HEAVY DUTY SOFT-DOWN STAY



## HDSN-30

LID SUPPORTS

HEAVY DUTY SOFT-DOWN STAYS



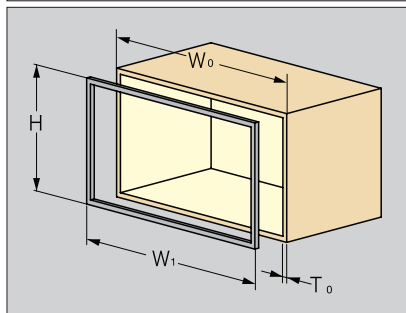
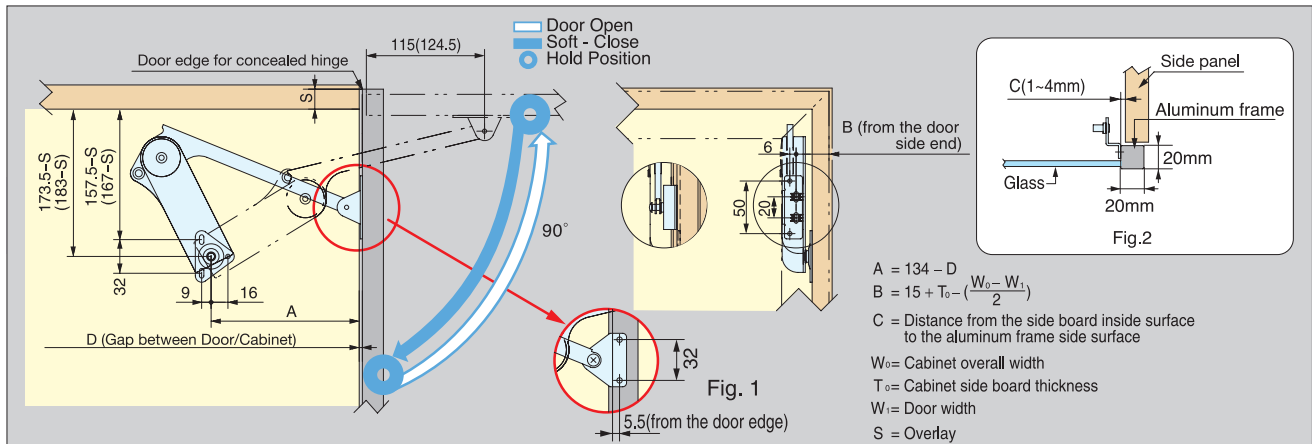
230-26/19T  
230-P4W-32T  
(Sold separately)

HDSN-30KR/WHT

- For UPWARD-OPENING FLAP DOOR used with concealed hinges.
- Used in pairs.
- HDSN-30 is designed to hold door in closed and opened position.
- Arm bracket for wood and aluminum frame available. Specify when ordering.
- Torque Calculation:  
Torque = Door Height × 1/2 × Door Weight  
In case of opening angle 90°  
K-Type (Light Duty):  
140~179 kg·cm (122~155 lbs·inch)/pair  
M-Type (Medium Duty):  
180~219 kg·cm (156~190 lbs·inch)/pair  
H-Type (Heavy Duty):  
220~259 kg·cm (191~225 lbs·inch)/pair  
S-Type (Super Heavy Duty):  
260~300 kg·cm (226~260 lbs·inch)/pair

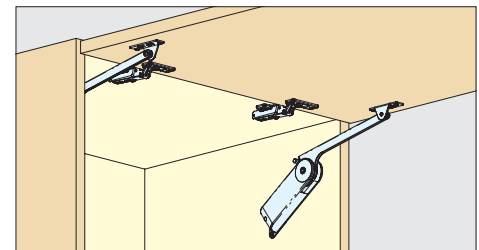
Material	Finish/Color
Steel	Nickel
Plastic	Light Grey

Dimensions are for 90° opening, solid wood or 45 mm width aluminum frame door.  
For 80° opening, please use the figures in ( ).  
Fig.1 and Fig. 2 show the dimensions for 20 mm width aluminum frame door using mounting plate HDSN-AZ.  
Recommended concealed hinge is overlay/105° opening/free swing type.



Calculate the door torque according to the following formula considering the weight and the height of the applicable door.

Door height (cm) × 1/2 × Door weight (kg) = Door torque (kg·cm)



Arm Mounting Plate (Sold separately, please specify when ordering.)

Item No.	Applicable Door
HDSN-SZ	45mm width aluminum frame door or wood door
HDSN-AZ	20mm width aluminum frame door

Item No.		Type	Door torque		Box (pcs)	Carton (pcs)
Left	Right		Opening angle 90°	Opening angle 80°		
HDSN-30KL	HDSN-30KR	K	140~179 kg·cm ( 122~155 lbs·in )	140~199 kg·cm ( 122~173 lbs·in )	40	200
HDSN-30ML	HDSN-30MR	M	180~219 kg·cm ( 156~190 lbs·in )	200~249 kg·cm ( 174~216 lbs·in )		
HDSN-30HL	HDSN-30HR	H	220~259 kg·cm ( 191~225 lbs·in )	250~299 kg·cm ( 217~260 lbs·in )		
HDSN-30SL	HDSN-30SR	S	260~300 kg·cm ( 226~260 lbs·in )	300~350 kg·cm ( 261~303 lbs·in )		