

LID STAY LK-222, LK-335, LK-380



LIFT ASSIST STAYS

SOFT CLOSING STAYS

TORQUE STAYS

HEAVY DUTY LOCKING STAYS

FOOT STAYS

LID STAYS

OTHER STAYS

TOP-OPENING

DOWNWARD-OPENING

UPWARD-OPENING

BOTTOM-OPENING

SWING DOOR

LIFT-UP

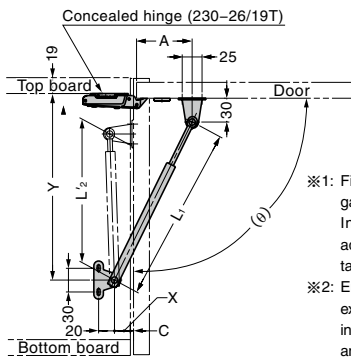
LIFT-DOWN

UP & OVER

BI-FOLDING

OVER THE TOP

[Installation LK-222 and LK-335]



- ※1: Figure left shows when using gasket (gasket thickness C=4). In case of no gasket (C=0), add 4mm to dimension X in the table below.
- ※2: Ensure that L₂ of the installation example is larger than L₂ shown in the figure below. (Or the hinge and stay may be damaged.)

Item Name	Opening Angle θ	L ₁	A	X	Y	Door Weight kg
LK-222	90°	222	70	20	235	Max. 2.5
	85°		75		240	Max. 2.7
	75°		85		251	Max. 3.0
LK-335	90°	335	104	20	344	Max. 3.1
	85°		112		351	Max. 3.3
	75°		127		368	Max. 3.8

LK222: In case door height 350mm
LK335: In case door height 500mm

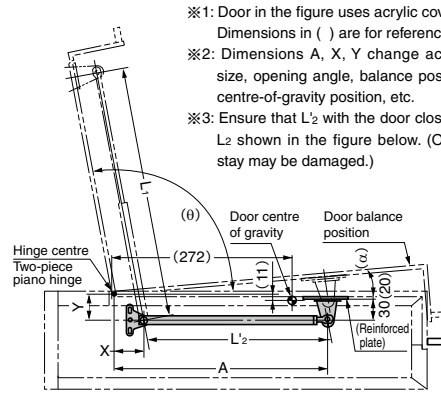
Opening Direction	Description	Non-handed	Qty	Compression Load
 Top-opening Upward-opening	Holds When Fully Opened	Yes	2 Units Per Door	-

- Spring mechanism assists lifting the door and holds in opened position and additional catch not required both for in opened position and closed position.

[Remarks]

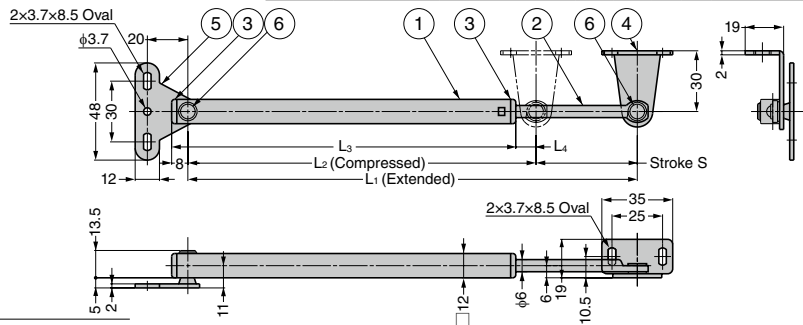
- Never open more than the angle where the stay has completely extended. Otherwise, it may be damaged. Install a stopper to restrict the opening of the door. Use two units per door. (1 unit per door not allowed)

[Installation LK-335 and LK-380]



- ※1: Door in the figure uses acrylic cover (5mm thick). Dimensions in () are for reference only.
- ※2: Dimensions A, X, Y change according to door size, opening angle, balance position setting and centre-of-gravity position, etc.
- ※3: Ensure that L₂ with the door closed is larger than L₂ shown in the figure below. (Or the hinge and stay may be damaged.)

Item Name	Opening Angle θ	Door Balance Angle α	L ₁	A	X	Y	Door Weight kg			
LK-335	90°	0.5°	335	295	45	38	2.5			
		14°					3.0			
	85°	12°					44	3.3		
LK-380	110°	8°	380	330	40	36	2.5			
	90°	3.5°					335	55	44	3.0
		4°					320	41	59	4.0
	80°	7.5°					335	56	60	4.3



No.	Part Name	Material	Finish/Colour
①	Body	Stainless Steel	Satin
②	Stay	(SUS304)	Polished
③	Cover	PA	Black
④	Arm Bracket	Stainless Steel (SUS304)	Satin
⑤	Case Bracket		
⑥	Shaft	-	-
-	Spring	Piano Wire	Coloured Zinc Chromate

RoHS	CAD	Item Code	Item Name	L ₁	L ₂	L ₃	L ₄	S	Spring Tension/pc				Weight (g)	Box (pcs)	Carton (pcs)
									Extended N	Extended kgf	Compressed N	Compressed kgf			
☑	☑	180-100-045	LK-222	222	172	170	10	50	31	3.2	68	7.0	145	25	150
☑	☑	180-100-046	LK-335	335	250	238	20	85	37	3.8	83	8.5	185	25	150
☑	☑	180-100-047	LK-380	380	280	269	19	100	35	3.6	83	8.5	205	25	150