

LID STAY

TEST METHOD 16

L=R

STAINLESS 304 STEEL

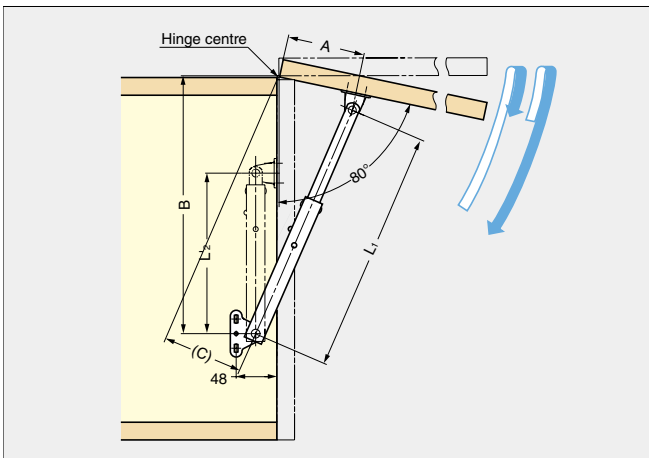
LB-200A, LB-350A, LB-500A



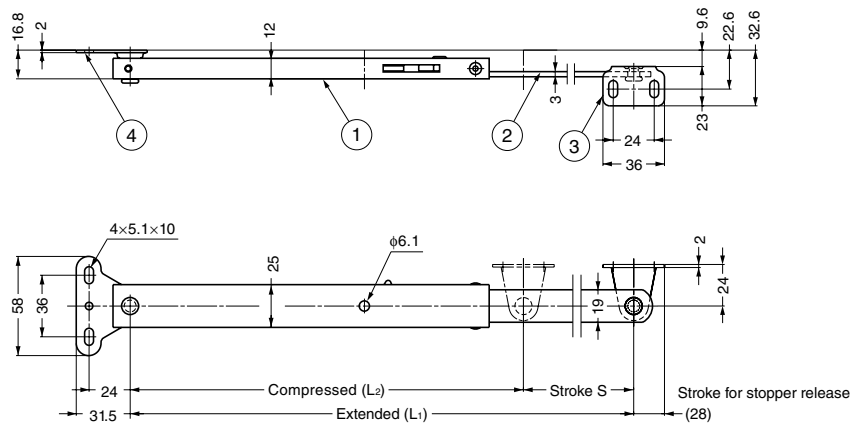
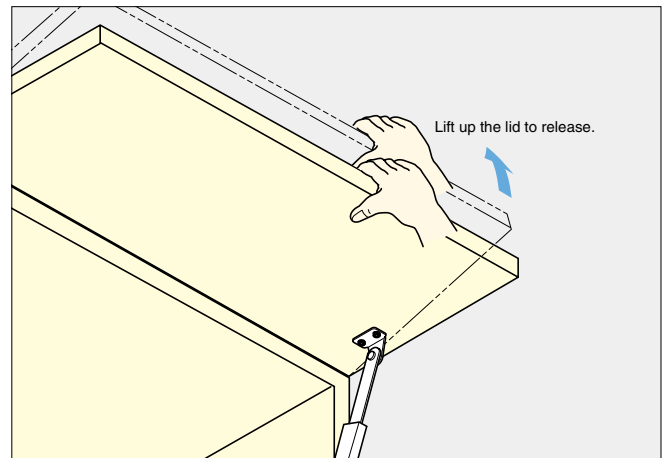
Features

- Can be used singly or in pairs.
- Door flap locks in opened position. To release, push door flap into fully opened position.
- When closed, the extendible section of the arm is stored inside the body, allowing the cabinet interior to be used effectively.
- Door flap can be locked into place using a pin or similar item that will fit in the hole.
- Non-handed.

Installation



Stopper Release



No.	Part Name	Material	Finish
①	Body	Stainless Steel (SUS304)	Satin
②	Arm	Stainless Steel (SUS304)	Satin
③	Arm Bracket	Stainless Steel (SUS304)	Satin
④	Case Bracket	Stainless Steel (SUS304)	Satin

Item Code	Item Name	L ₁	L ₂	S	A	B	C	Load Capacity	Weight	Box	Carton
180-014-929	LB-200A	200	163	45	56	219	59.7	294 N/pc (30 kgf/pc)	234 g	10 pcs	40 pcs
180-100-122	LB-350A	350	230	120	128	364	129.9	245 N/pc (25 kgf/pc)	314 g	10 pcs	40 pcs
180-014-928	LB-500A	500	305	195	195	510	194.5	196 N/pc (20 kgf/pc)	410 g	10 pcs	20 pcs