

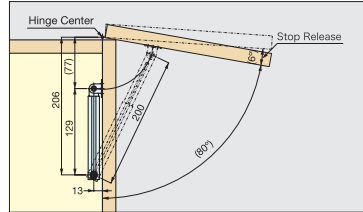
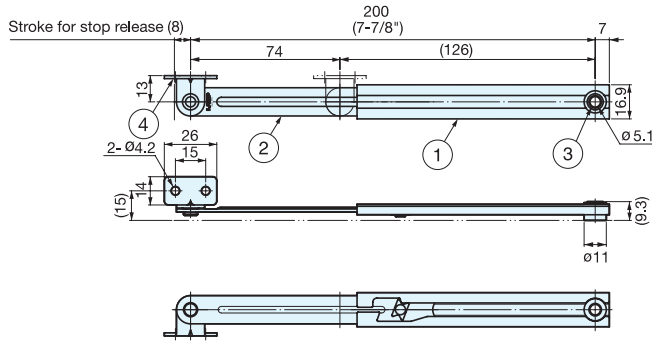
LOW PROFILE LID STAY



L-200P



- Can be installed individually or in pairs.
- Non-Handed : Can be installed on left or right side.
- Mounting brackets (L-200-BT) available separately.



*Lid stay must be installed parallel to the sidewall.

No.	Part Name	Material	Finish
①	Housing	304 Stainless Steel	Plain
②	Arm	304 Stainless Steel	Plain
③	Hosing Bracket	303 Stainless Steel	Plain
④	Arm Bracket	304 Stainless Steel	Polished

Item No.	Load Capacity (kg)	Weight (g)	Box (pcs)	Carton (pcs)
L-200P	15 (33 lbs)	65	30	300

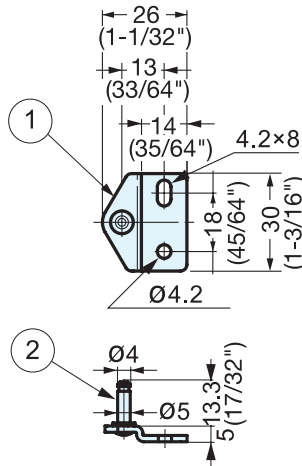
MOUNTING BRACKET



L-200P-BT



- Optional brackets for L-200P stay.
- Insert the retainer and bracket firmly into the stay.
- * Do not re-use the bracket. Retainer may become loose once taken off from stay



Body Bracket

Item No.	Weight (g)	Box (pcs)	Carton (pcs)
L-200P-BT	14	30	300

No.	Part Name	Material	Finish
①	Arm Bracket	304 Stainless Steel	Polished
②	Body Bracket Pin		
③	Arm Bracket Pin	303 Stainless Steel	Plain