

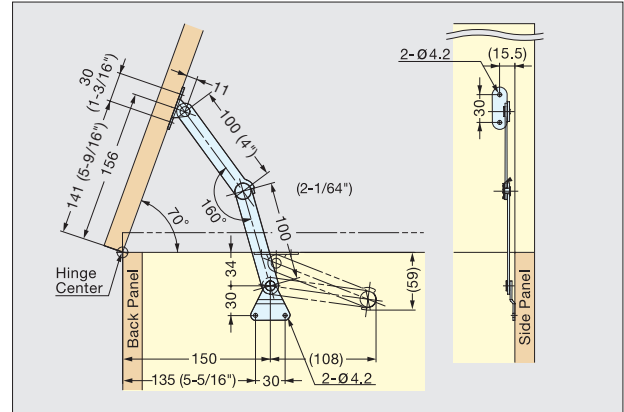
# TORQUE LID STAY (FREE STOP)



S-100T30



- Friction torque lid stay holds lid open at any position.
  - Narrow profile for unobtrusive installation.
  - Torque Calculation :  
Torque = Door Height × 1/2 × Door Weight
  - Left- and Right-handed models available.
  - Can be used individually or in pairs.
- Note : 1) Not recommended for lids that will be continuously opened and closed.  
2) Do not lubricate.



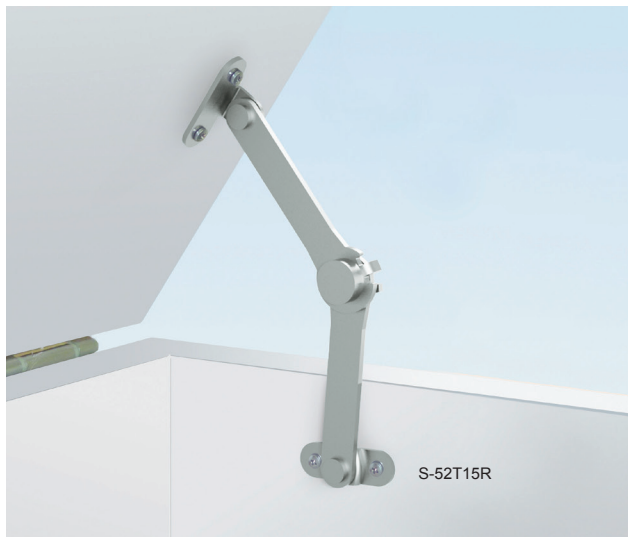
Item No.	Handing	Torque per piece	Weight (g)	Box (pcs)	Carton (pcs)
S-100T30R	Right	30.6 kg·cm ±20% (26.5 lbs·in ±20%)	100	30	120
S-100T30L	Left				

Part	Material	Finish
Body, Base & Bracket	430 Stainless Steel	Plain
Press washer & Pin	Phosphor Bronze	
Washer	Steel	

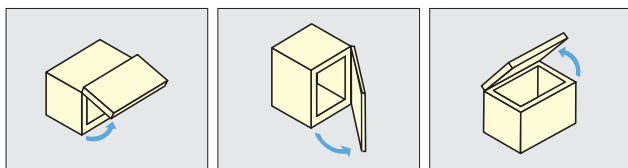
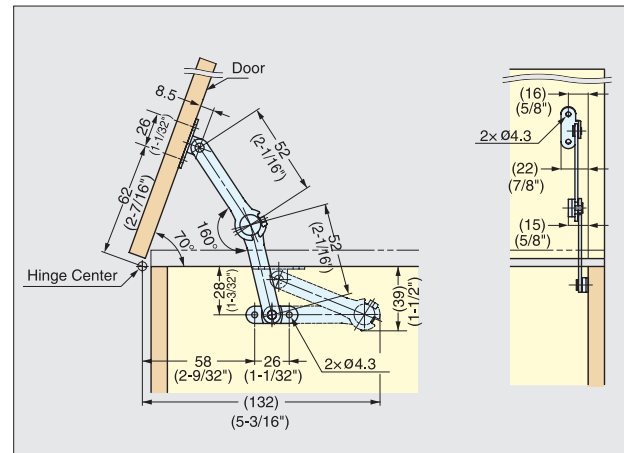
# TORQUE LID STAY (FREE STOP)



S-52T15



- Friction torque lid stay holds lid open at any position.
  - Narrow profile for unobtrusive installation.
  - Left- and Right-handed models available.
  - Can be used individually or in pairs.
- Note : 1) Not recommended for lids that will be continuously opened and closed.  
2) Do not lubricate.



Item No.	Handing	Torque per piece	Weight (g)	Box (pcs)	Carton (pcs)
S-52T15R	Right	15.3 kg·cm ±20% (13.3 lbs·in ±20%)	40	25	250
S-52T15L	Left				

Part	Material	Finish
Body, Base & Bracket	430 Stainless Steel	Plain
Press washer & Pin	Phosphor Bronze	
Washer	Steel	