

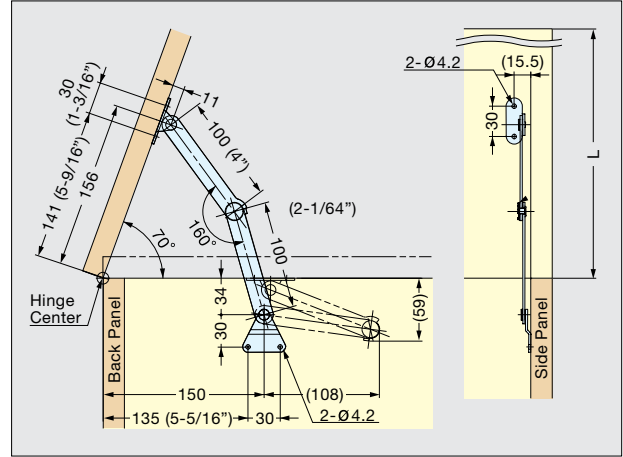
TORQUE LID STAY (FREE STOP)



S-100T30



- Friction torque lid stay holds lid in desired position.
- Torque Calculation:
Torque = Door Height x 1/2 x Door Weight
- Can be installed individually or in pairs.
- Handed: Specific left and right hand mounting.



Part	Material	Finish/Color
Body, Base & Bracket	430 Stainless Steel	Plain
Press washer & Pin	Phosphor Bronze	
Washer	Steel	

Item No.	Torque per piece	Torque per pair	Weight (g)	Box (pcs)	Carton (pcs)
S-100T30R	30.6 kgf·cm±20% (26.5 lbs·in±20%)	61.2 kgf·cm±20% (53.1 lbs·in±20%)	100	30	120
S-100T30L					

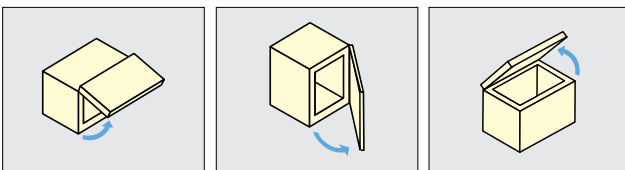
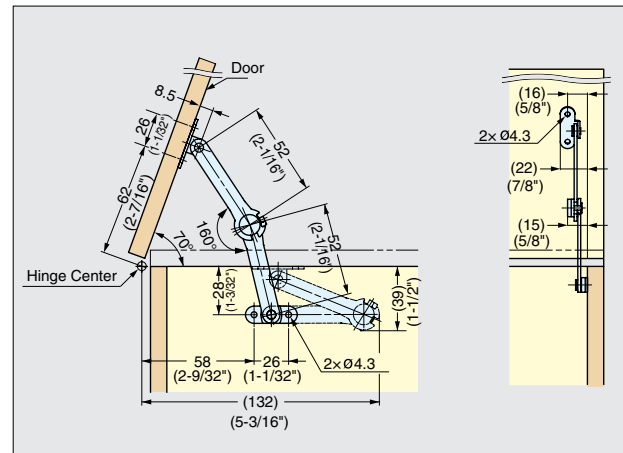
TORQUE LID STAY (FREE STOP)



S-52T15



- Friction torque lid stay holds lid in desired position.
- Torque Calculation:
Torque = Door Height x 1/2 x Door Weight
- Can be installed individually or in pairs.
- Handed: Specific left and right hand mounting.



Item No.	Handing	Torque per piece	Weight (g)	Box (pcs)	Carton (pcs)
S-52T15R	Right	15.3 kg·cm ±20% (13.3 lbs·in ±20%)	40	25	250
S-52T15L	Left				

Part	Material	Finish
Body, Base & Bracket	430 Stainless Steel	Plain
Press washer & Pin	Phosphor Bronze	
Washer	Steel	