

# SELF OPENING STAY



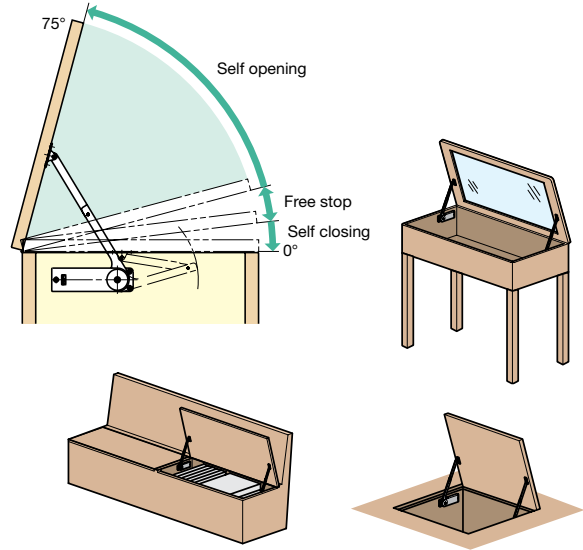
# HDS-20S

LID SUPPORTS

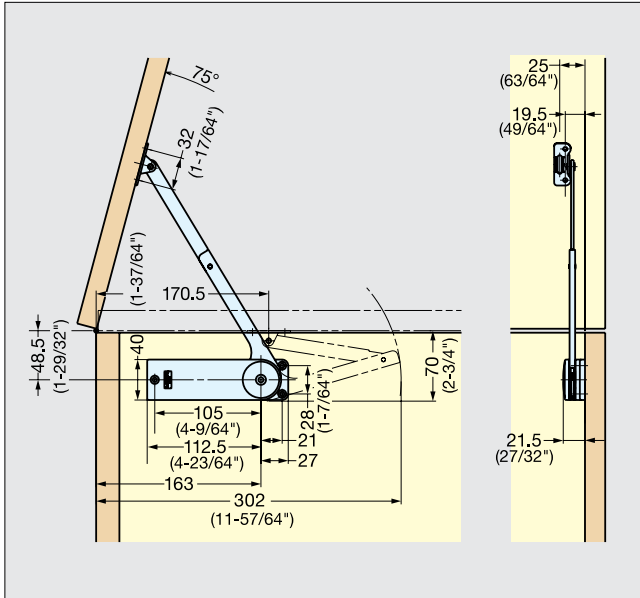
SELF OPENING STAYS



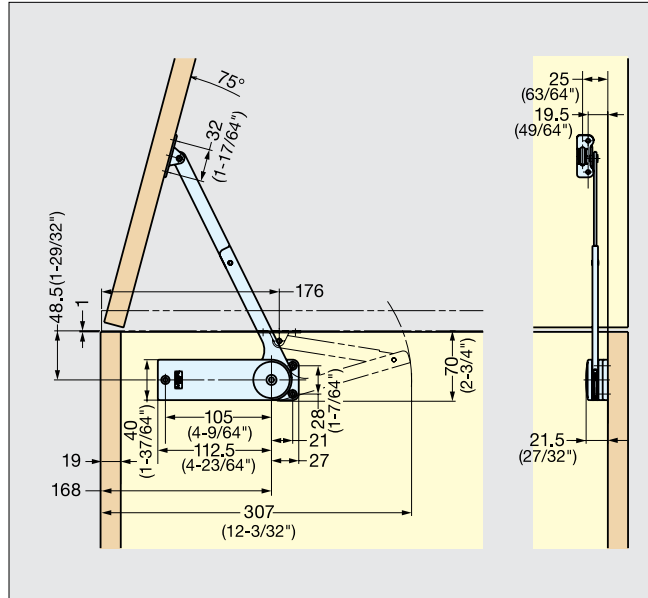
- Lid will self open past the free stop angle.
- For TOP-OPENING FLAP DOOR with piano, butt or concealed hinges.
- HDS-20S is designed to hold door in fully opened position.
- Used in pairs.
- Torque Calculation:  
Torque = Door Height x 1/2 x Door Weight  
H-Type : 70~110 kg-cm (61~95 lbs-in)/pair  
S-Type : 111~150 kg-cm (96~130 lbs-in)/pair



With Piano/Butt Hinge



With Concealed Hinge



Item No.		Type	Torque (kg-cm/pair)	Weight (g)	Box (pcs)	Carton (pcs)
Left	Right					
HDS-20S-HL-BL	HDS-20S-HR-BL	H	70~110 kg-cm ( 61~87 lbs-in )	300	40	200
HDS-20S-HL-WT	HDS-20S-HR-WT					
HDS-20S-SL-BL	HDS-20S-SR-BL	S	111~150 kg-cm ( 96~130 lbs-in )	300	40	200
HDS-20S-SL-WT	HDS-20S-SR-WT					

Material	Finish/Color
Steel	Nickel
Plastic	Black/White