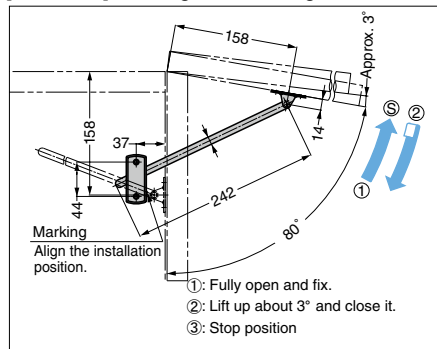


# LID STAY KLS



### [Installation] With single knuckle hinge



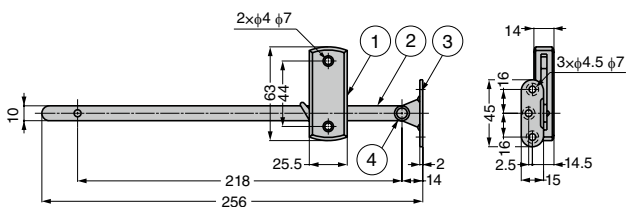
Opening Direction	Description
Upward-opening	Stops When Fully Opened, Right-handed Only

- Holds the door in fully opened position. Lift up the door to release the stopper.
- Easy installation with a marking on the body for indicating installation position.

### [Remarks]

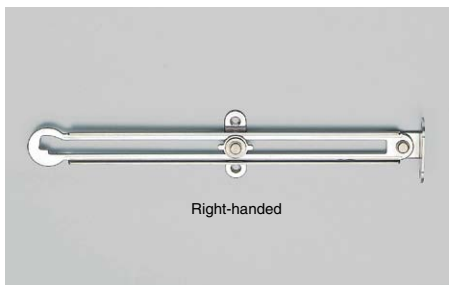
- Right side installation only.
- Max. door height is 300mm.
- Height more than 300mm or applying force to the front end may cause deformation and damage.

No.	Part Name	Material	Finish/Colour
①	Body	PA	White
②	Arm	Steel (SS)	Nickel
③	Bracket	Steel (SPCC)	
④	Spring	Steel	-

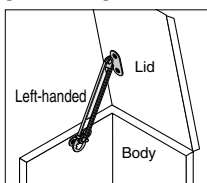


RoHS	CAD	Item Code	Item Name	Door Weight kg/pc	Weight (g)	Box (pcs)	Carton (pcs)
		180-100-052	KLS	Max. 8	85	20	200

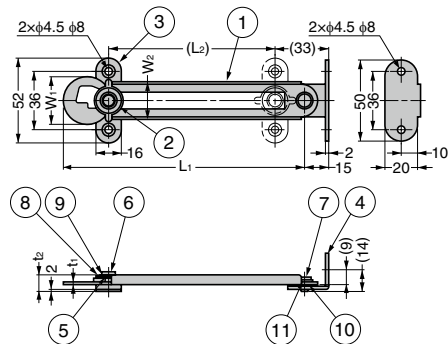
# LID STAY S-91, S-92, S-93



### [Installation]



Opening Direction	Description
Top-opening	-



No.	Part Name	Material	Finish
①	Rail Arm	Stainless Steel (SUS304)	Barrel Polished
②	Rotary		
③	Base Plate		
④	Bracket	Stainless Steel (SUS301)	-
⑤	Spring		
⑥	Shaft A	Stainless Steel (SUS303)	-
⑦	Shaft B		
⑧	Washer	Stainless Steel (SUS304)	
⑨	N Washer	PA	
⑩	N Washer		
⑪	N Washer		

RoHS	CAD	Item Code	Item Name	Type	L <sub>1</sub>	L <sub>2</sub>	W <sub>1</sub>	W <sub>2</sub>	t <sub>1</sub>	t <sub>2</sub>	Weight (g)	Box (pcs)	Carton (pcs)
		180-100-055	S-91R	Right-handed	277	231	30	24	2	11	120	100	-
		180-103-001	S-91L	Left-handed								100	-
		180-100-056	S-92R	Right-handed	198	153	28	23	1.5	10.5	85	30	180
		180-103-002	S-92L	Left-handed								30	180
		180-100-057	S-93R	Right-handed	150	105					75	60	240
		180-100-070	S-93L	Left-handed								60	240

TOP-OPENING

DOWNWARD-OPENING

UPWARD-OPENING

BOTTOM-OPENING

SWING DOOR

LIFT-UP

LIFT-DOWN

UP & OVER

BI-FOLDING

OVER THE TOP