

# LID STAY

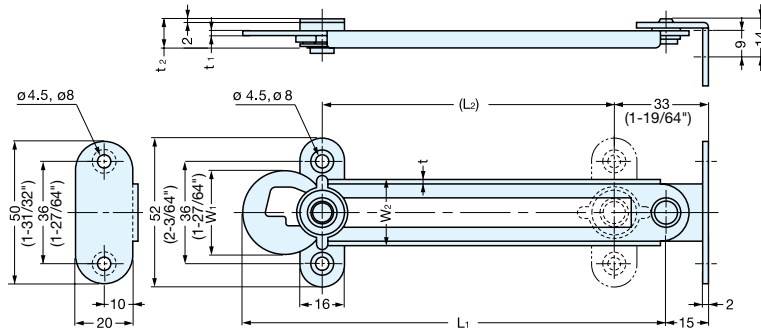


# S-91, 92, 93

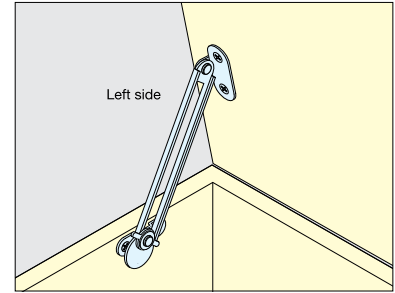


(Right)

- Locks lid in fully opened position.
- Lift up lid to release.
- Can be installed individually or in pairs.
- Handed: Specific left and right hand mounting.



(Right)



Material	Finish
304 Stainless Steel	Polished

Item No.		L <sub>1</sub>	(L <sub>2</sub> )	W <sub>1</sub>	W <sub>2</sub>	t <sub>1</sub>	t <sub>2</sub>	Load Capacity (kg)	Weight (g)	Box (pcs)	Carton (pcs)
Left	Right										
S-91L	S-91R	277 (10-29/32")	231 (9-3/32")	30	24	2.0	11.0	40 (88 lbs)	120	100	1000
S-92L	S-92R	198 (7-51/64")	153 (6-1/32")	28	23	1.5	10.5		85	30	180
S-93L	S-93R	150 (5-29/32")	105 (4-9/64")					30 (66 lbs)	75	60	240

LID SUPPORTS  
LID STAYS

## Interactive and easy to use

Refer to pages 108 (SLU-ELAN), 112 (SDS) and to 117 (NSDX) see more product information.

