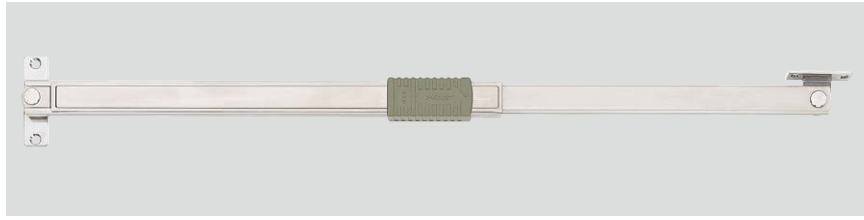


## MULTI-ANGLE LID STAY (W/ LOCK)

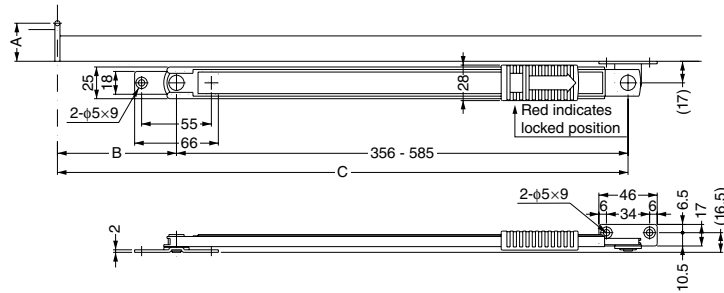


U3012HL



### Features

- Locks the lid at multiple angles with the lock lever.
- Slide the lever to lock / unlock.
- The locking mechanism prevents accidental fall of the flap.
- Can be used singly or in pairs.
- Non-Handed.
- Door opening angle: Max. 100°
- Recommended door size:  
Height – Max. 2000 mm.  
Width – 600 - 910 mm.  
Thickness – 25 - 45 mm.  
Weight – Max. 20 kg.



Dimensions for 90° door opening angle

	A	30	35	40	45	50
B	160	160	160	160	160	155
C	525	520	515	510	510	505

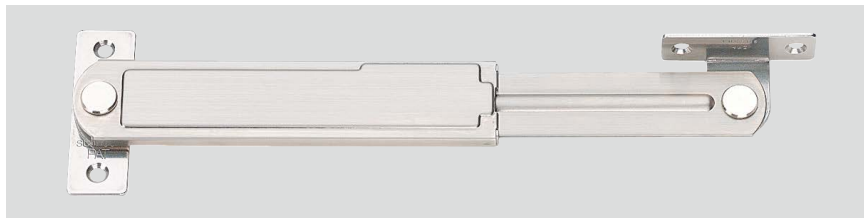
Item Code	Item Name	Weight	Box	Carton
180-109-466	U3012HL (=U3005HL)	338 g	6 pcs	60 pcs

Material	Finish/Colour
304 Stainless Steel	Satin
Polycetal	-

## MULTI-ANGLE LID STAY

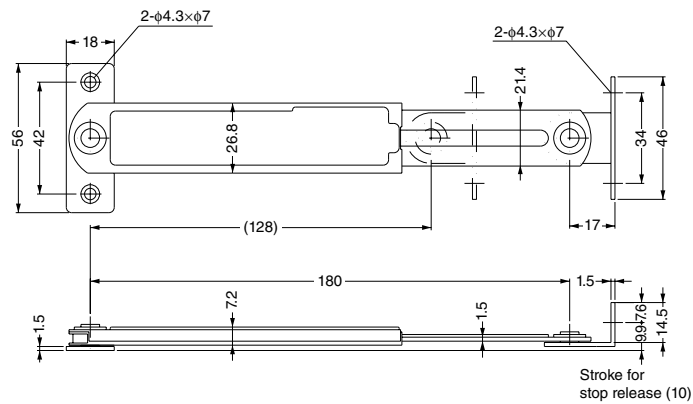


U-3031HL



### Features

- Holds the lid at multiple angles with ratchet inside.
- Non-handed.
- Thin and compact design.
- Open the door fully to release the lock.
- Close the door completely to revert the ratchet function.



Material	Finish
304 Stainless Steel	Satin

Item Code	Item Name	Stop Positions	Door Weight	Weight	Box	Carton
180-109-200	U-3031HL	15	Max. 5 kg	127 g	10 pcs	100 pcs