

MULTI-ANGLE LID STAY

STAINLESS
304
STEEL

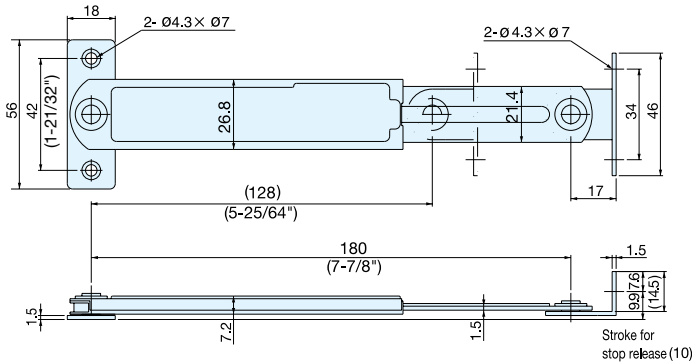
LOAD CAPACITY
7 kg
15 lbs

STAINLESS

U-3031



- Ratchet stay holds flap lid at multiple angles.
- Non-handed
- Thin and compact design.
- Completely open the door to release lock.
- Completely close the door to re-engage the lock.



Material	Finish
304 Stainless Steel	Satin

Item No.	Stop Positions	Load Capacity (kg)	Weight (g)	Box (pcs)	Carton (pcs)
U-3031	15	7 (15 lbs)	127	10	100

LID STAY (W/LOCK)

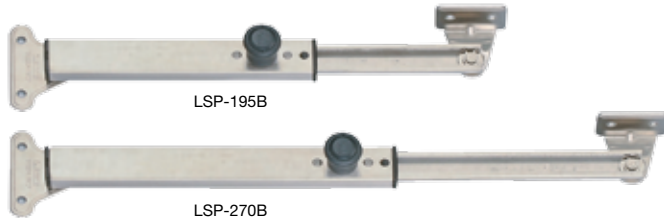
STAINLESS
304
STEEL

LOAD CAPACITY
30 kg
66 lbs

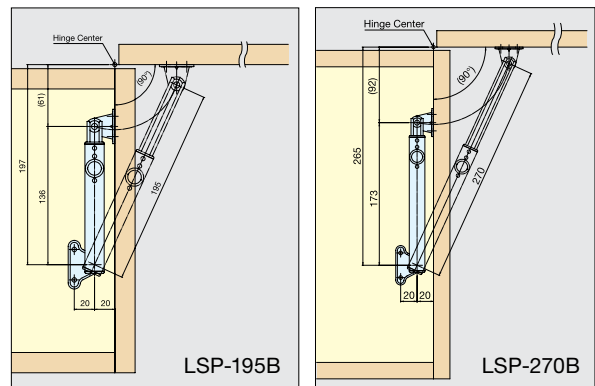
TEST 15
P.472

NO SCREW

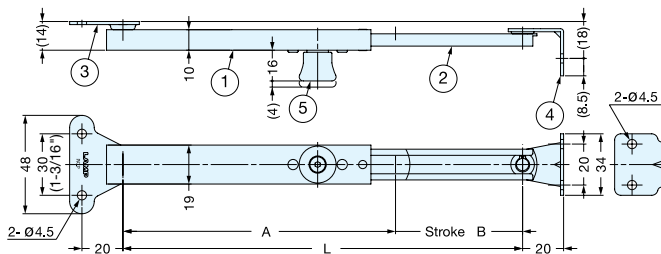
LSP



- Automatically locks lid when fully opened.
- Pull the locking knob to release lock.
- Ideal for vibration or shock applications.
- Can be installed individually or in pairs.
- Non-Handed: Can be installed on left or right side.



*Lid stay must be installed parallel to the sidewall.



No.	Part Name	Material	Finish/Color
①	Case	304 Stainless Steel	Satin
②	Arm		
③	Case Bracket		
④	Arm Bracket	ABS	Dark Grey
⑤	Locking knob		

Item No.	L	A	B	Load Capacity (kg)	Weight (g)	Box (pcs)	Carton (pcs)
LSP-195B	195 (7-43/64")	133 (5-15/64")	62 (2-7/16")	30 (66 lbs)	126	6	60
LSP-270B	270 (10-5/8")	170 (6-11/16")	100 (3-15/16")	30 (66 lbs)	147		