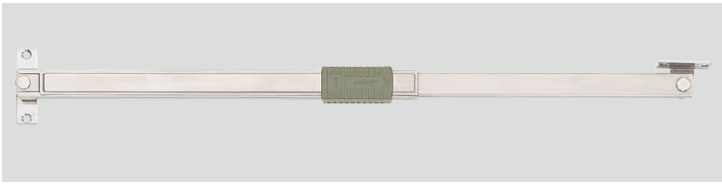
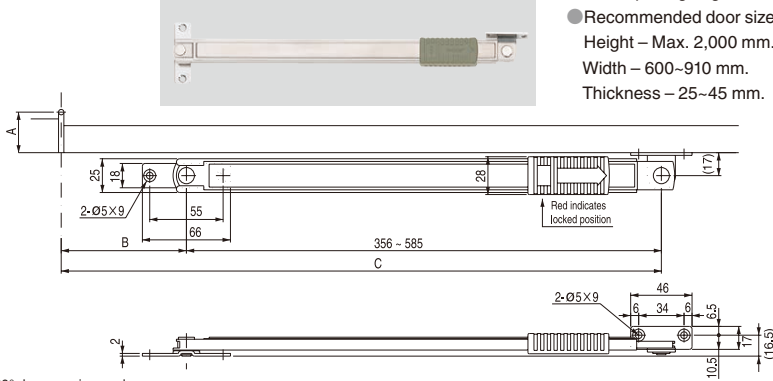


MULTI-ANGLE LID STAY U3012HL



- Locks lid in multiple positions by manually sliding lock lever.
- Slide back lever to lock / unlock.
- Ideal for vibration or shock applications.
- Can be installed individually or in pairs.
- Non-Handed: Can be installed on left or right side.
- Door opening angle : 100° maximum.
- Recommended door size.
Height – Max. 2,000 mm.
Width – 600–910 mm.
Thickness – 25–45 mm.



A, B and C dimensions are for 90° door opening angle

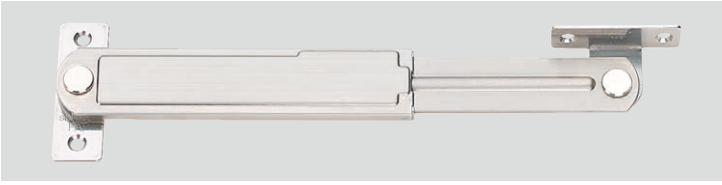
A	30	35	40	45	50
B	160	160	160	160	155
C	525	520	515	510	505

RHS	CAD	Item Code	Item Name	Old Item Name	Weight (g)	Box (pcs)	Carton (pcs)
-	-	180-109-466	U3012HL	U-3005	338	6	60

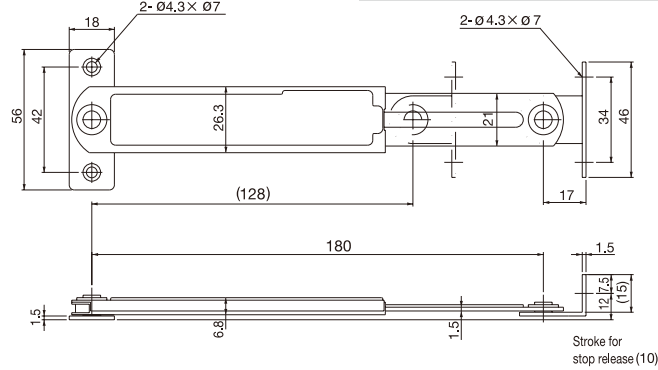
※ Item name has been revised.

Material	Finish/Colour
Stainless Steel (304)	Satin
Polycetal	-

MULTI-ANGLE LID STAY U-3031HL



- Ratchet stay holds flap lid at multiple angles.
- Non-handed.
- Thin and compact design.
- Completely open the door to release lock.
- Completely close the door to re-engage the lock.



Material	Finish
Stainless Steel (304)	Satin

RHS	CAD	Item Code	Item Name	Old Item Name	Stop Positions	Load Capacity (kg)	Weight (g)	Box (pcs)	Carton (pcs)
-	-	180-109-200	U-3031HL	U-3031	15	7	127	10	100

※ Item name has been revised.