

# Flat suction cup (round)

<https://www.schmalz.com/10.01.01.00280>



## PFYN 1 SI-55 M3-AG

Part no.: 10.01.01.00280

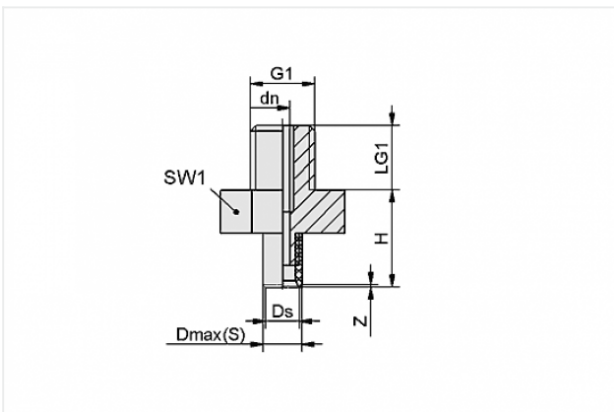
Homepage > Vacuum Technology for Automation > Vacuum Components > Vacuum Suction Cups > Flat Suction Cups (Round) > Flat Suction Cups  
PFYN > PFYN 1 SI-55 M3-AG

### Flat suction cup (round) for smooth or slightly rough surfaces



Size: 1  
Suction cup material: Silicone SI  
Material hardness: 55 °Sh  
Material characteristics:  
FDA-compatible  
Nipple material: Aluminium  
Vacuum connection: M3-M

### Design Data



Attribute	Value
-----------	-------

dn	0.4 mm
----	--------

Dmax(S)	1.2 mm
---------	--------

Ds	1 mm
----	------

G1	M3-M
----	------

H	3.6 mm
---	--------

LG1	3 mm
-----	------

SW1	5 mm
-----	------

Z	0.1 mm
---	--------

### Technical Data

#### Contact to Schmalz

J. Schmalz GmbH | Johannes-Schmalz-Straße, 72293 Glatten, Deutschland | +49 7443 2403-102 |  
customercenter@schmalz.de

Attribute	Value
Suction force	0.03 N
Volume	0.001 cm <sup>3</sup>
Curve radius (min) (convex)	2 mm
Internal hose diameter (recom.)	2 mm
Size	1
Number of folds	0
Suction cup material	Silicone SI
Material hardness	55 °Sh
Weight	1 g
Product family	PFYN

**Note:**

- Suction force: The specified suction forces are theoretical values at a vacuum of -0.6 bar and with a smooth, dry workpiece surface - they do not include a safety factor
- Hose diameter: The recommended hose diameter refers to a hose length of approx. 2 m

**Spare Parts**



**SA-NIP N001 M3-AG DN40**

Part no. 10.01.01.00315

Suction cup connection nipple

Nipple: N 001

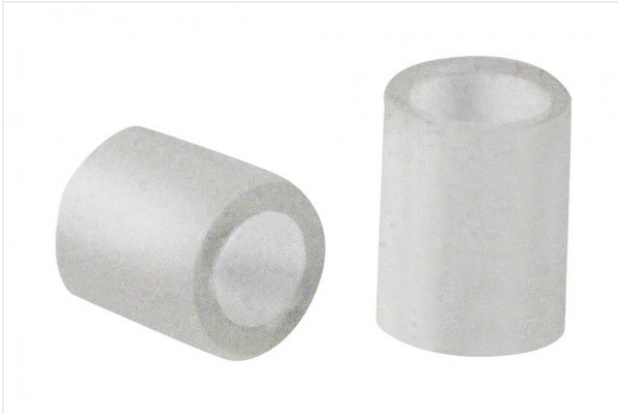
Thread G1: M3-M

Overall length: 6 mm

Fitting length: 2 mm

Nominal size: 0.40 mm

Material: Aluminium



**PFG 1 SI-55 N001**

Part no. 10.01.01.00021

Flat suction cup (round) for smooth or slightly rough surfaces

Size: 1

Suction cup material: Silicone SI

Material hardness: 55 °Sh

Material characteristics:

FDA-compatible