

SPRING LOADED LID STAY



S-YT

LID SUPPORTS

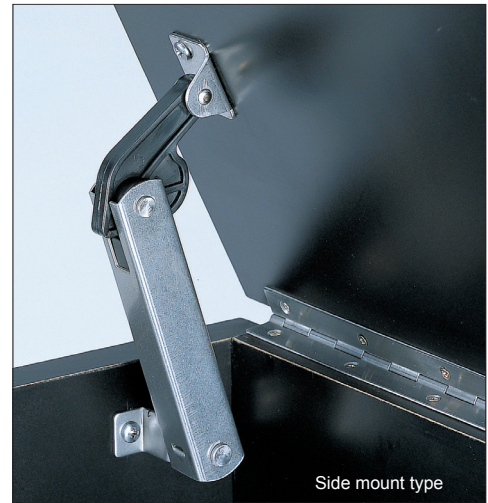
SPRING LOADED LID STAYS

- Spring mechanism assists in lifting door and holds in open position.
- Handed: Specific left and right hand mounting.

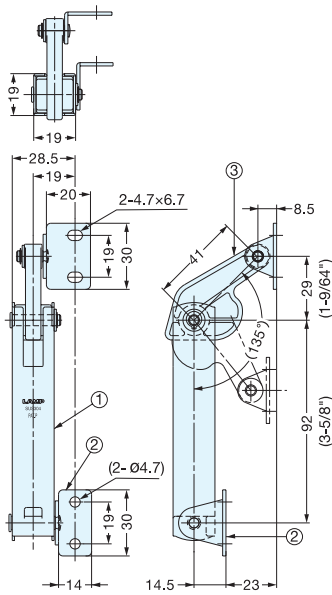


Back panel mount type

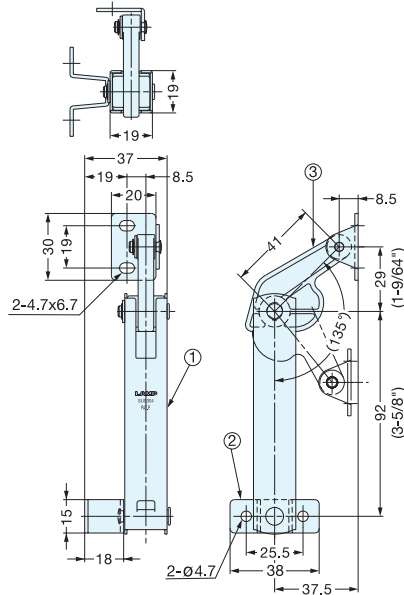
Side mount type
(Left handed shown)



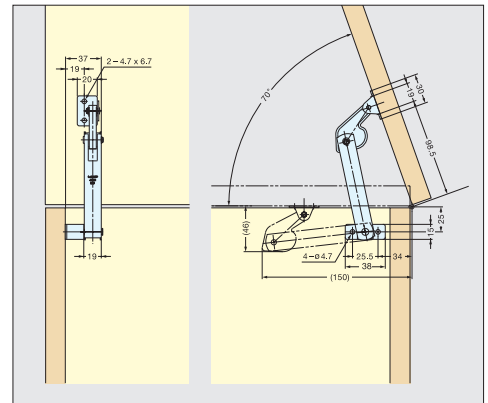
Side mount type



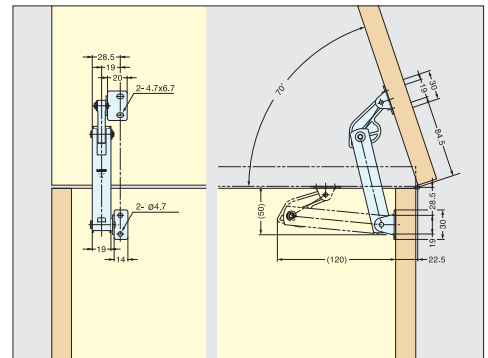
Back panel mount type



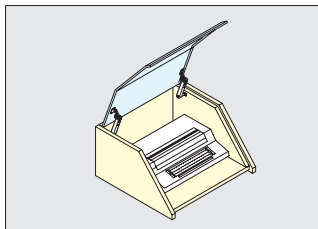
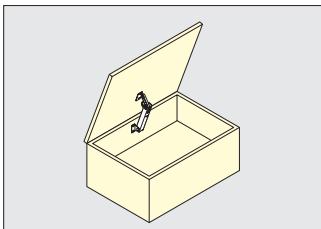
Side mount type



For side mount type



For back panel mount type



No.	Part Name	Material	Finish
①	Body	304 Stainless Steel	Plain
②	Bracket		
③	Arm	Polyacetal	-

Item No.		Spring Tension	Mounting Type	Max. Torque (kgf·cm)	Weight (g)	Box (pcs)	Carton (pcs)
Left	Right						
S-YT01L	S-YT01R	Soft	Side	30 (26 lbs-in)	118	10	100
S-YT02L	S-YT02R	Hard		40 (34 lbs-in)			
S-YT01S		Soft	Back Panel	30 (26 lbs-in)			
S-YT02S		Hard		40 (34 lbs-in)			