

# Flat suction cup (round)

<https://www.schmalz.com/10.01.01.10375>



## PFYN 1 NBR-AS-55 M3-AG

Part no.: 10.01.01.10375

Homepage > Vacuum Technology for Automation > Vacuum Components > Vacuum Suction Cups > Flat Suction Cups (Round) > Flat Suction Cups  
PFYN > PFYN 1 NBR-AS-55 M3-AG

### Flat suction cup (round) for smooth or slightly rough surfaces



Size: 1

Suction cup material:

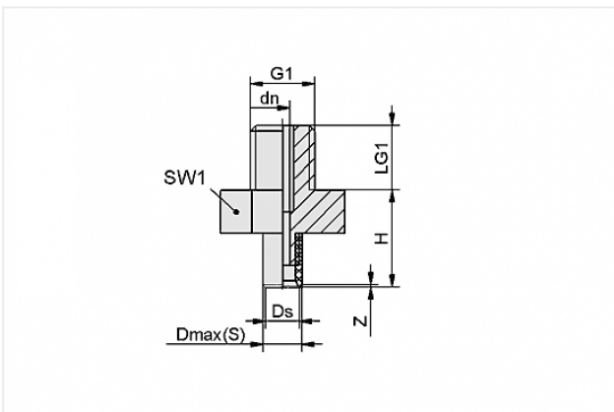
Nitrile rubber NBR-antistat

Material hardness: 55 °Sh

Nipple material: Aluminium

Vacuum connection: M3-M

### Design Data



| Attribute | Value |
|-----------|-------|
|-----------|-------|

|    |        |
|----|--------|
| dn | 0.4 mm |
|----|--------|

|         |        |
|---------|--------|
| Dmax(S) | 1.2 mm |
|---------|--------|

|    |      |
|----|------|
| Ds | 1 mm |
|----|------|

|    |      |
|----|------|
| G1 | M3-M |
|----|------|

|   |        |
|---|--------|
| H | 3.6 mm |
|---|--------|

|     |      |
|-----|------|
| LG1 | 3 mm |
|-----|------|

|     |      |
|-----|------|
| SW1 | 5 mm |
|-----|------|

|   |        |
|---|--------|
| Z | 0.1 mm |
|---|--------|

### Technical Data

#### Contact to Schmalz

J. Schmalz GmbH | Johannes-Schmalz-Straße, 72293 Glatten, Deutschland | +49 7443 2403-102 |  
customercenter@schmalz.de

| Attribute                       | Value                       |
|---------------------------------|-----------------------------|
| Suction force                   | 0.03 N                      |
| Volume                          | 0.001 cm <sup>3</sup>       |
| Curve radius (min) (convex)     | 2 mm                        |
| Internal hose diameter (recom.) | 2 mm                        |
| Size                            | 1                           |
| Number of folds                 | 0                           |
| Suction cup material            | Nitrile rubber NBR-antistat |
| Material hardness               | 55 °Sh                      |
| Weight                          | 1 g                         |
| Product family                  | PfYN                        |

**Note:**

- Suction force: The specified suction forces are theoretical values at a vacuum of -0.6 bar and with a smooth, dry workpiece surface - they do not include a safety factor
- Hose diameter: The recommended hose diameter refers to a hose length of approx. 2 m

**Spare Parts**



**SA-NIP N001 M3-AG DN40**

Part no. 10.01.01.00315

Suction cup connection nipple

Nipple: N 001

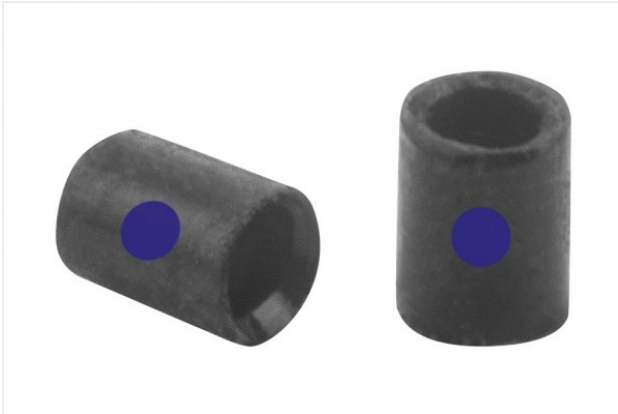
Thread G1: M3-M

Overall length: 6 mm

Fitting length: 2 mm

Nominal size: 0.40 mm

Material: Aluminium



**PFG 1 NBR-AS-55 N001**

Part no. 10.01.01.10335

Flat suction cup (round) for smooth or slightly rough surfaces

Size: 1

Suction cup material:

Nitrile rubber NBR-antistat

Material hardness: 55 °Sh