

# Flat suction cup (round)

PFG 1 SI-55 N001

Part no.: 10.01.01.00021

<https://www.schmalz.com/10.01.01.00021>



Homepage > Vacuum Technology for Automation > Vacuum Components > Vacuum Suction Cups > Flat Suction Cups (Round) > PFG 1 SI-55 N001

## Flat suction cup (round) for smooth or slightly rough surfaces



Size: 1

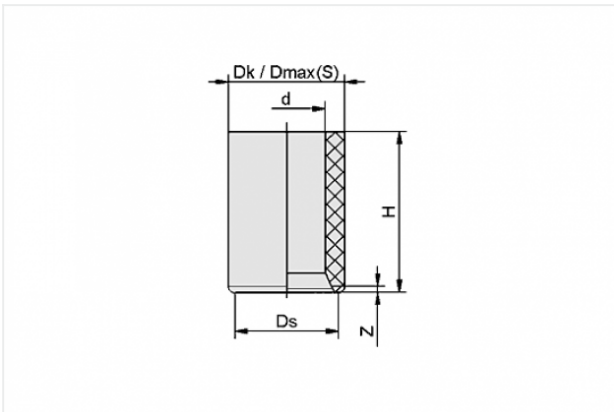
Suction cup material: Silicone SI

Material hardness: 55 °Sh

Material characteristics:

FDA-compatible

### Design Data



Attribute	Value
d	0.8 mm
Dk	1.2 mm
Dmax(S)	1.2 mm
Ds	1 mm
H	1.6 mm
Z	0.1 mm

### Technical Data

Attribute	Value
Suction force	0.03 N
Volume	0.00084 cm <sup>3</sup>
Curve radius (min) (convex)	2 mm

### Contact to Schmalz

J. Schmalz GmbH | Johannes-Schmalz-Straße, 72293 Glatten, Deutschland | +49 7443 2403-102 | [customercenter@schmalz.de](mailto:customercenter@schmalz.de)

Attribute	Value
Size	1
Nipple	N 001
Number of folds	0
Suction cup material	Silicone SI
Material hardness	55 °Sh
Weight	0.1 g
Product family	PFG

## Accessories



**SA-NIP N001 M3-AG DN40**  
Part no. 10.01.01.00315  
Suction cup connection nipple  
Nipple: N 001  
Thread G1: M3-M  
Overall length: 6 mm  
Fitting length: 2 mm  
Nominal size: 0.40 mm  
Material: Aluminium